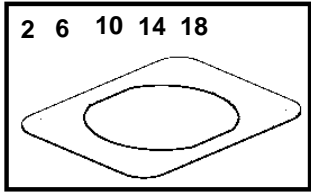
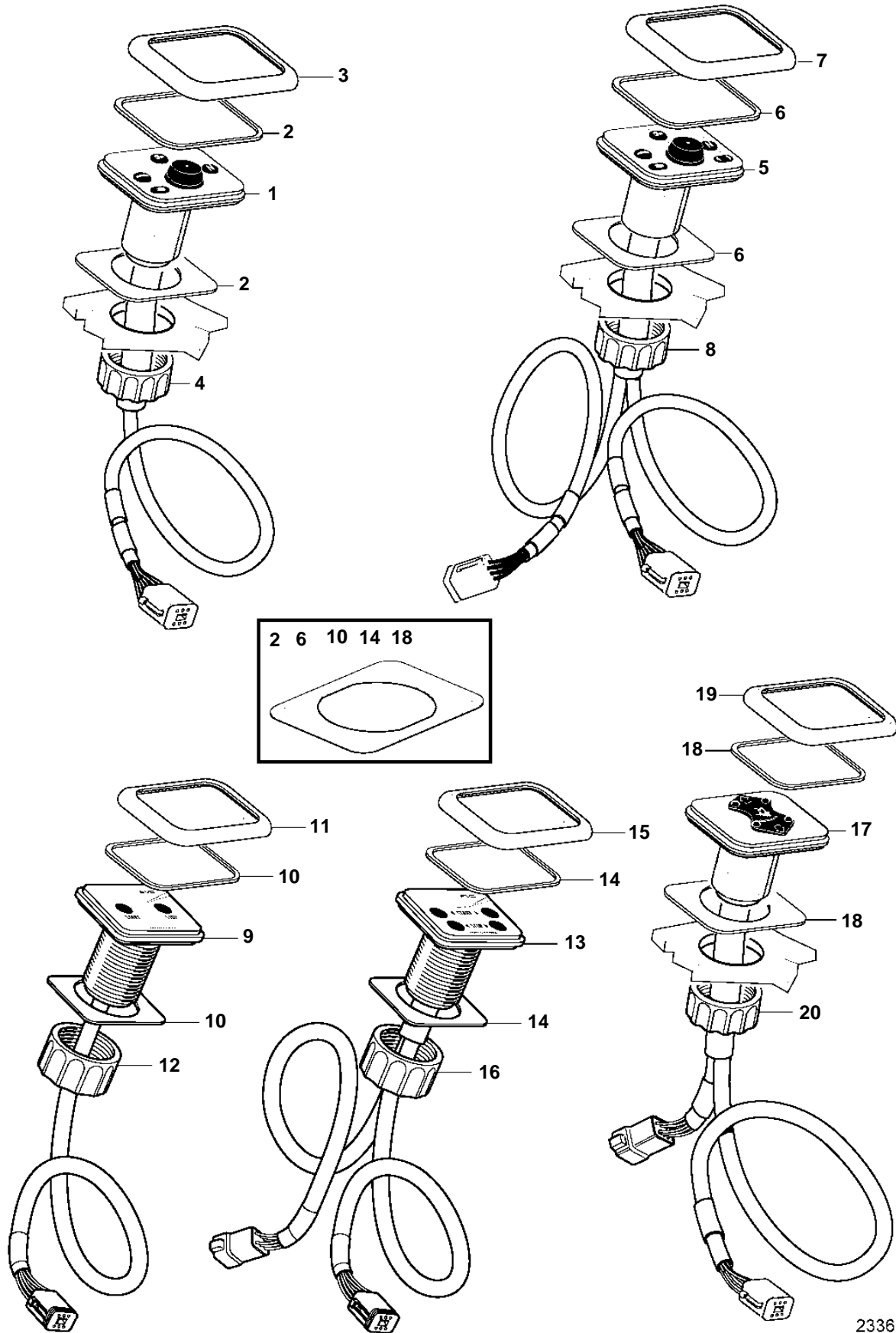


D4-180I-B, D4-210A-A, D4-210A-B, D4-210I-B, D4-225A-B, D4-225I-B, D4-260A-A, D4-260A-B, D4-260D-B, D4-260I-A, D4-260I-B, D4-300A-A, D4-300D-A, D4-300I-A



23360

D4-180I-B, D4-210A-A, D4-210A-B, D4-210I-B, D4-225A-B, D4-225I-B, D4-260A-A, D4-260A-B, D4-260D-B, D4-260I-A, D4-260I-B, D4-300A-A, D4-300D-A, D4-300I-A

REF	PART NO.	QTY	DESCRIPTION	NOTES
1	3883350	1	Control panel	Repl by 3594968, Single installation
	21310162	1	Control panel	Single installation
2	3808135	1	• Gasket	Also for flushmounting.
3	3808131	1	• Frame	
4	3808134	1	• Nut	
5	3883351	1	Control panel	Repl by 3594969, Twin installation
	21310164	1	Control panel	Twin installation
6	3808135	1	• Gasket	Also for flushmounting.
7	3808131	1	• Frame	
8	3808134	1	• Nut	
9	3807315	1	Control panel, start/stop	Repl by 40005641, Single installation, Dual station
	40005641		Control panel	Single installation, Dual station
10	3808135	1	• Gasket	Also for flushmounting.
11	3808131	1	• Frame	
12	3808134	1	• Nut	
13	3807316	1	Control panel, start/stop	Repl by 40005642, Twin installation, Dual station
	40005642	1	Control panel	Twin installation, Dual station
14	3808135	1	• Gasket	Also for flushmounting.
15	3808131	1	• Frame	
16	3808134	1	• Nut	
17	3807314	1	Control panel	Repl by 40005634, Power trim
	40005634	1	Control panel	Power trim
18	3808135	1	• Gasket	Also for flushmounting.
19	3808131	1	• Frame	
20	3808134	1	• Nut	