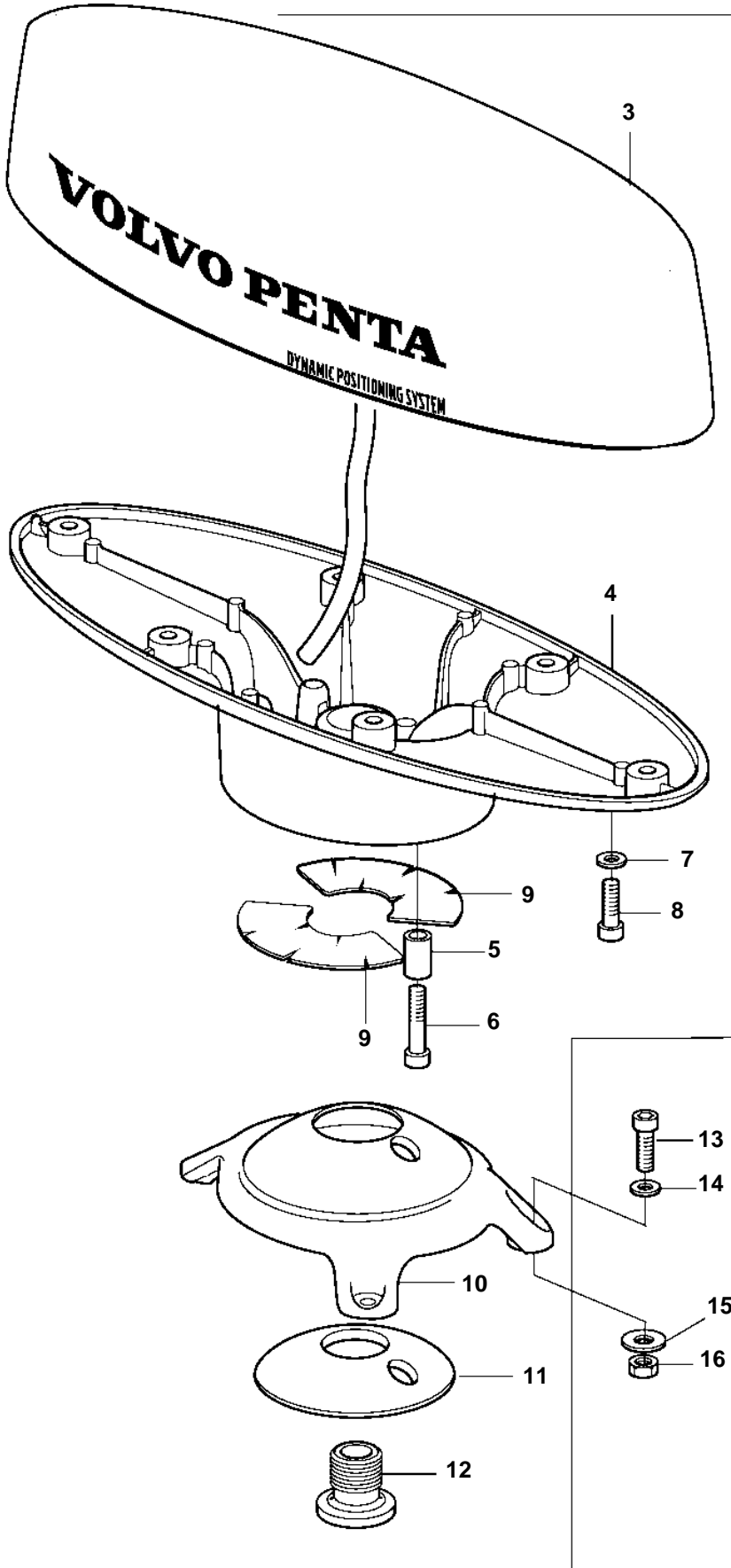


D4-260D-B, D4-260D-C, D4-260D-D, D4-300D-A, D4-300D-C, D4-300D-D



23

**WARNING**

Always wear safety glasses and use proper lifting techniques when working with this antenna. Do not touch the propellers after engine start-up. Do not touch the propellers when the engine is running. Do not touch the propellers when the engine is running. Do not touch the propellers when the engine is running.

24

**WARNING**

When DPS is in use: Boats Underway

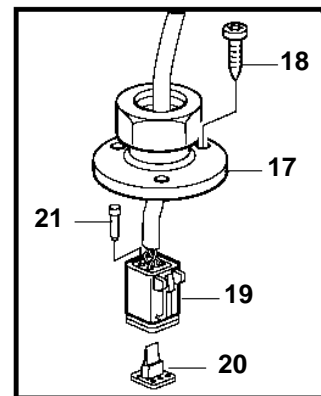
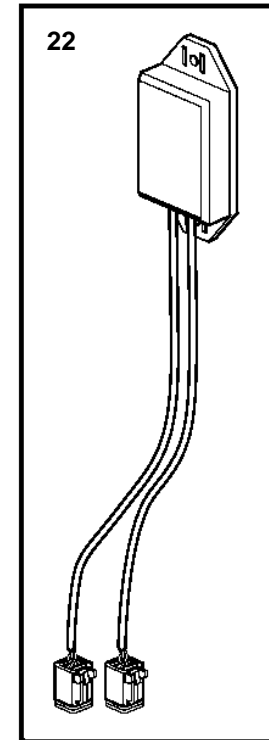
Master power LOOKOUT

STAY OUT of water opening propellers

HOLD ON to prevent fall as boat can move suddenly

HEAD the square in middle

Failure to observe warnings may result in SEVERE INJURY or DEATH.



24857

D4-260D-B, D4-260D-C, D4-260D-D, D4-300D-A, D4-300D-C, D4-300D-D

REF	PART NO.	QTY	DESCRIPTION
1	21300833	1	Antenna kit
2	21300831	1	· Antenna
3	21231832	1	· · Sensor
4	21395738	1	· · Antenna base
5	478344	2	· · Spacer sleeve
6	994153	2	· · Hex. socket screw
7	941670	6	· · Washer
8	994138	6	· · Hex. socket screw
9	21328699	2	· · Decal
10	21300823	1	· · Antenna base
11	21300829	1	· · Tensioning ring
12	21330777	1	· · Hollow screw
13	994153	3	· Hex. socket screw
14	941670	3	· Washer
15	993419	3	· Washer
16	946330	3	· Hexagon nut
17	21303890	1	· Cable grommet
18	961314	1	· Cross recessed screw
19	874960	1	· Insulator
20	874961	1	· Coding key
21	8397660	1	· Plug
22	21231837	1	· Converter
23	21318999	1	· Decal
24	21325536	1	· Label