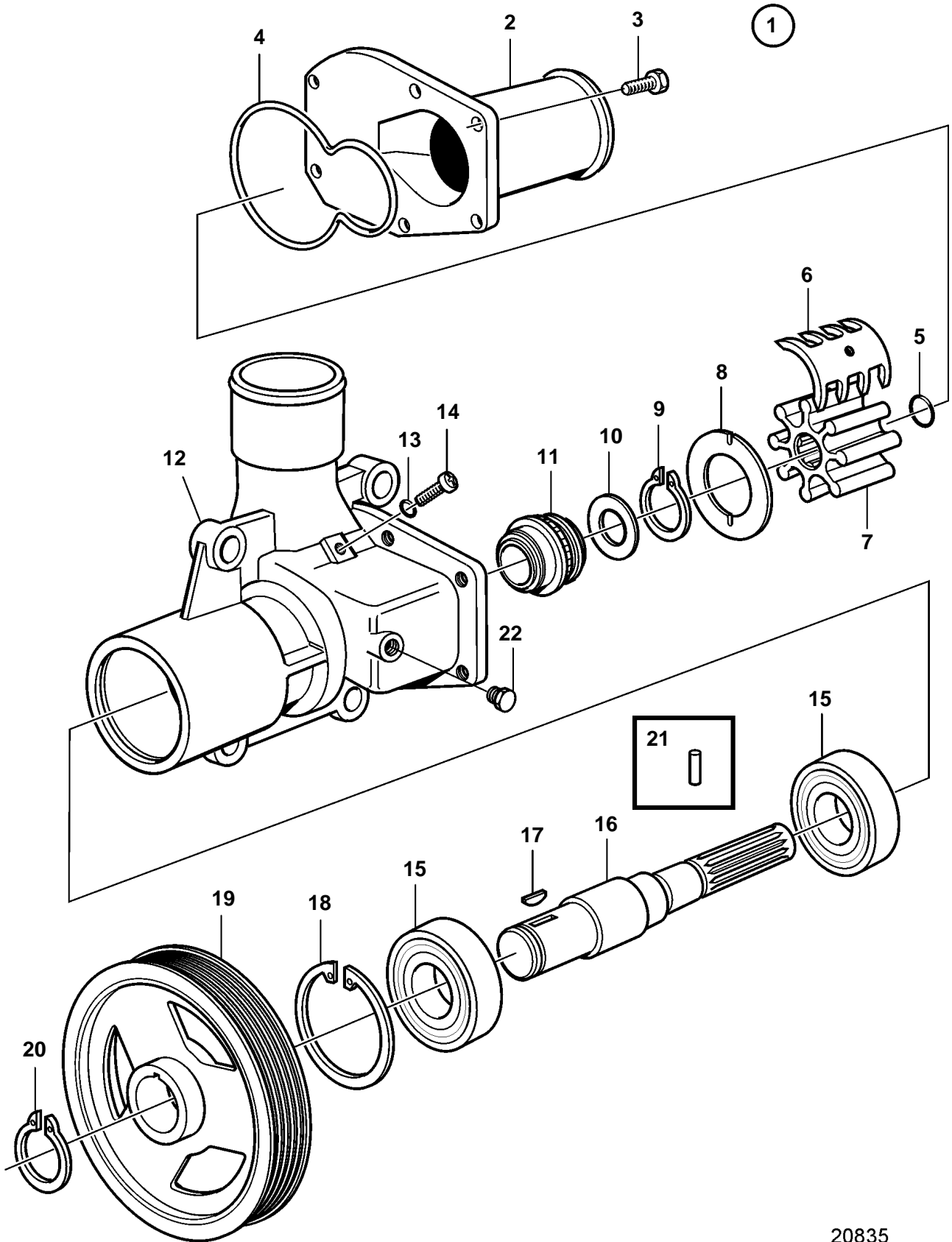


D4-180I-B, D4-180I-C, D4-180I-D, D4-210A-A, D4-210A-B, D4-210I-A, D4-210I-B, D4-225A-B, D4-225A-C, D4-225A-D, D4-225I-B, D4-225I-C, D4-225I-D, D4-260A-A, D4-260A-B, D4-260A-C, D4-260A-D, D4-260D-B, D4-260D-C, D4-260D-D, D4-260I-A, D4-260I-B, D4-260I-C, D4-260I-D, D4-300A-A, D4-300A-C, D4-300A-D, D4-300D-A, D4-300D-C, D4-300D-D, D4-300I-A, D4-300I-C, D4-300I-D



D4-180I-B, D4-180I-C, D4-180I-D, D4-210A-A, D4-210A-B, D4-210I-A, D4-210I-B, D4-225A-B, D4-225A-C, D4-225A-D, D4-225I-B, D4-225I-C, D4-225I-D, D4-260A-A, D4-260A-B, D4-260A-C, D4-260A-D, D4-260D-B, D4-260D-C, D4-260D-D, D4-260I-A, D4-260I-B, D4-260I-C, D4-260I-D, D4-300A-A, D4-300A-C, D4-300A-D, D4-300D-A, D4-300D-C, D4-300D-D, D4-300I-A, D4-300I-C, D4-300I-D

REF	PART NO.	QTY	DESCRIPTION	SEE SEC.
1	3584062	1	Sea water pump	
2	3583613		· Cardboard tube	
3	3583604	6	· Hexagon screw	
4	3583611	1	· O-ring	
5	804781	1	· Sealing washer	
6	3583612	1	· Cam	
7	3588475	1	· Impeller kit	7043
8	807589	1	· Wear washer	
9	809444	1	· Lock ring	
10	888388	1	· Washer	
11	3583609	1	· Sealing	
12		1	· Pump housing	
13	3583614	1	· O-ring	
14	3583605	1	· Screw	
15	181648	2	· Ball bearing	
16	21418999	1	· Kit	7043
17	888386	1	· Key	
18	825735	1	· Lock ring	
19	3583599	1	· Pulley	
20	804709	1	· Lock ring	
21	888387	1	· Pin	
22	981749	1	· Plug	