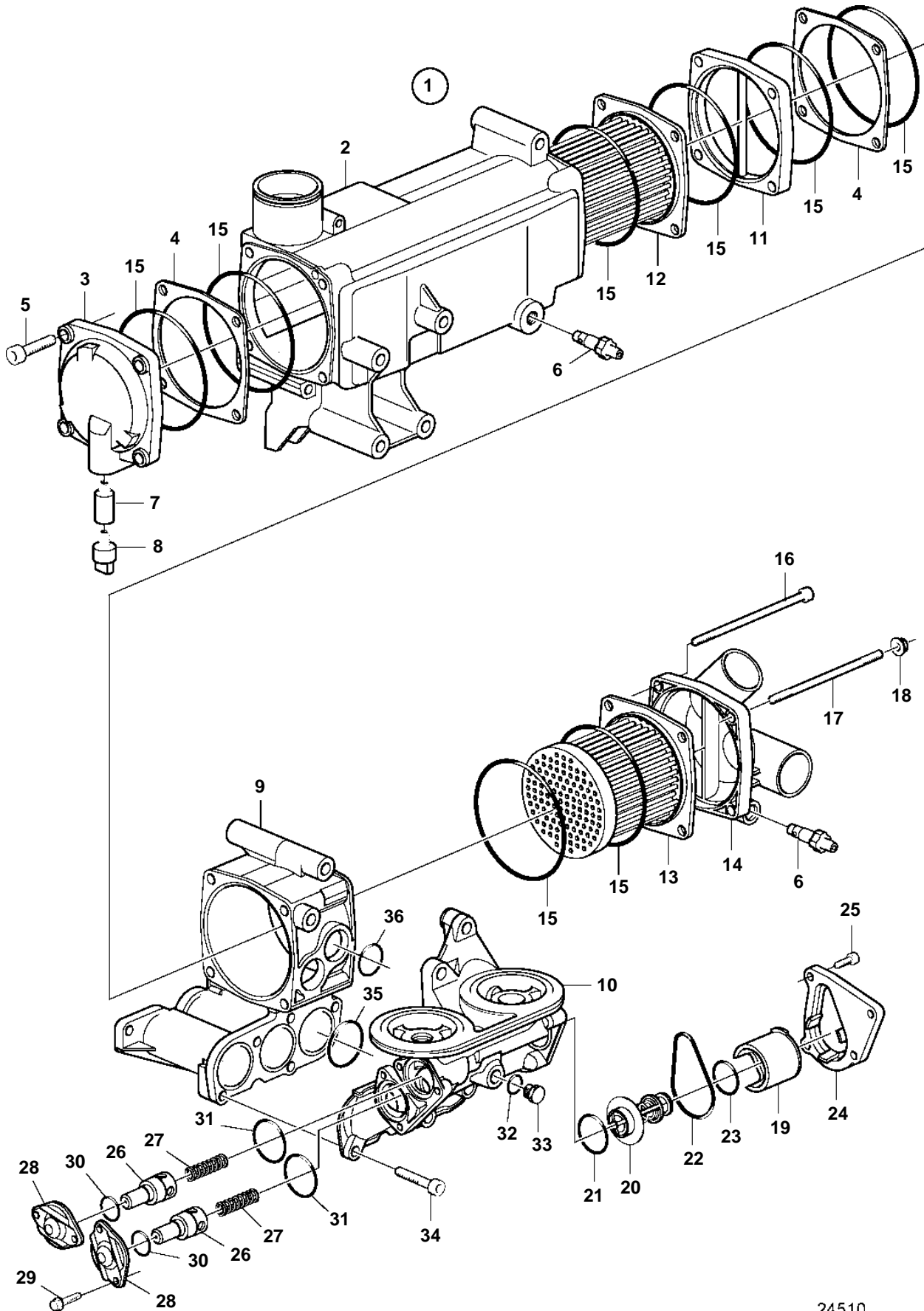


D4-210A-A, D4-210I-A, D4-260A-A, D4-260I-A



24510

Upd: 2010-01-21

24510

7746200 - 26 - 6535

D4-210A-A, D4-210I-A, D4-260A-A, D4-260I-A

REF	PART NO.	QTY	DESCRIPTION	NOTES
1	3582298	1	Heat exchanger	
2		1	· Housing	
3	3583641	1	· Cardboard tube	
4	3583646	2	· Spacer	
5	959223	4	· Hex. socket screw	
6	3583822	2	· Draining nipple	
7	838929	1	· Electrode	
8	838928	1	· Plug	
9	3583643	1	· Housing	
10	3584419	1	· Housing	
11	3583642	1	· Spacer	
12	3583644	1	· Tube	
13	3583645	1	· Tube	
14	3583640	1	· Cardboard tube	
15	3583647	8	· O-ring	
16	21122819	2	· Hex. socket screw	
17	3583650	2	· Stud	
18	945408	2	· Flange nut	
19	3583829	1	· Retainer	
20		1	· Thermostat	Including in kit 3588437
21	3583830	1	· O-ring	
22	3583831	1	· O-ring	
23	3583832	1	· O-ring	
24	3583828	1	· Cover	
25	947542	4	· Flange screw	
26	471706	2	· Reduction valve	
27	469332	2	· Spring	
28	471648	2	· Cover	
29	946544	4	· Flange screw	
30	949659	2	· O-ring	
31	3583834	2	· O-ring	
32	947282	1	· Gasket	
33	960629	1	· Plug	
34	959223	5	· Hex. socket screw	
35	866690	3	· O-ring	
36	3885174	2	· O-ring	

7746200 - 26 - 6535

24510

Upd: 2010-01-21