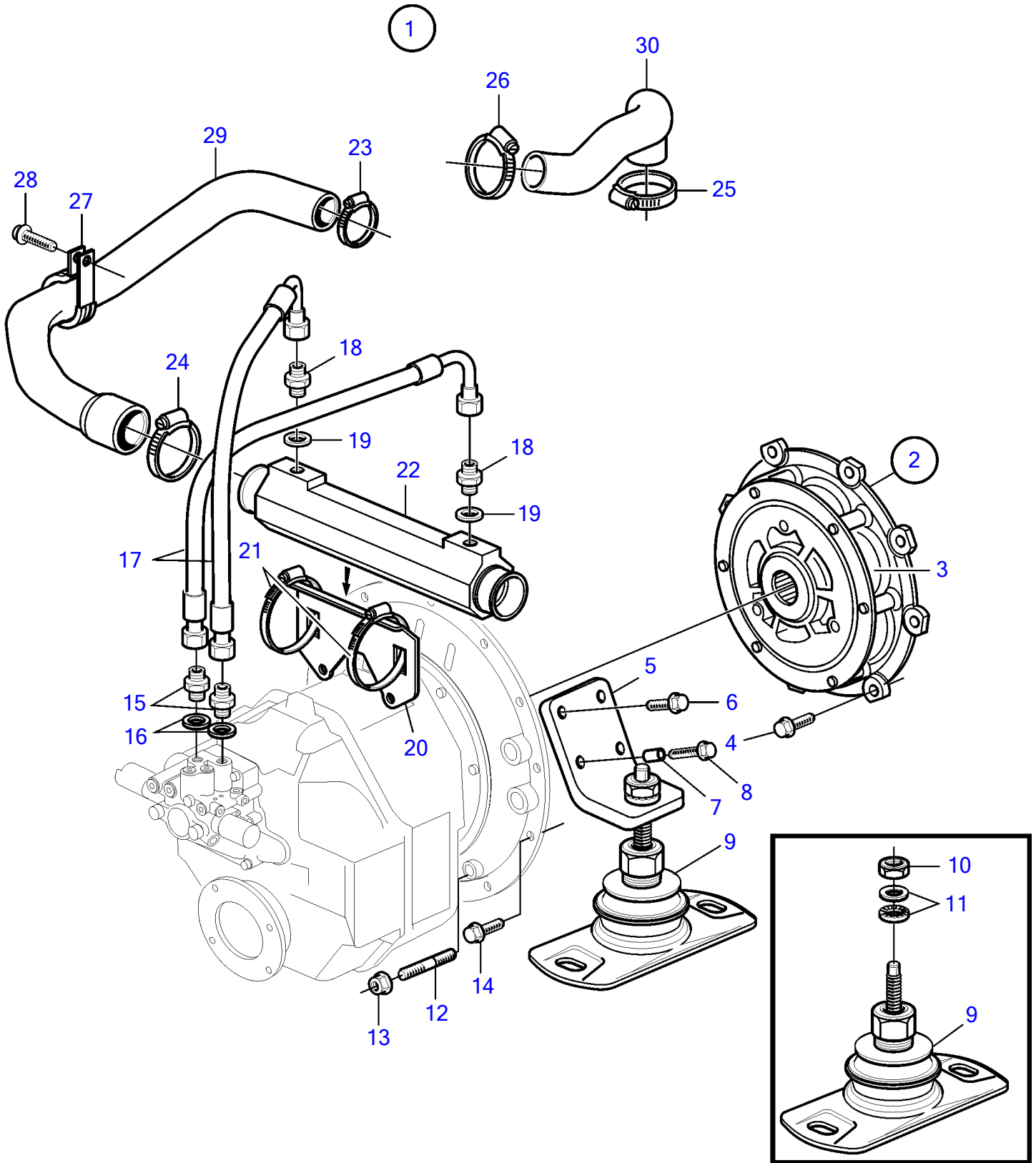


D4-300I-A



25240

D4-300I-A

REF	PART NO.	QTY	DESCRIPTION	SEE SEC.	NOTES
1		1	Connector kit		
2	3583843	1	• Flexible coupling		
3	21509613	1	• • Roller kit		Kit includes 4 pcs rubber rollers
4	965185	8	• Flange screw		
5	3583620	1	• Engine bracket		
6	984709	2	• Flange screw		
7	973528	2	• Spacer sleeve		
8	984956	2	• Flange screw		
9	3595043	4	• Rubber cushion		
			• Bulletin P-21-8-1	P-21-8-1-EN	Comfort Engine Suspension
			• Bulletin P-08-2-2	P-08-2-2-EN	Measuring Gauge for Rubber Mounts
10	955786	1	• • Hexagon nut		
11	847766	1	• • Lock washer		
12	953067	2	• Stud		
13	971095	2	• Flange nut		
14	946752	10	• Flange screw		
15	941750	2	• Nipple		
16	11978	2	• Washer		
17	3584428	2	• Hose		
18	963948	2	• Nipple		
19	976930	2	• Gasket		
20	3584440	1	• Bracket		
21	943481	2	• Hose clamp		
22	3584435	1	• Oil cooler		
23	961671	1	• Hose clamp		
24	961672	1	• Hose clamp		
25	943478	1	• Hose clamp		
26	943479	1	• Hose clamp		
27	969354	1	• Clamp		
28	946440	1	• Flange screw		
29	3889729	1	• Hose		
30	3888922	1	• Hose		