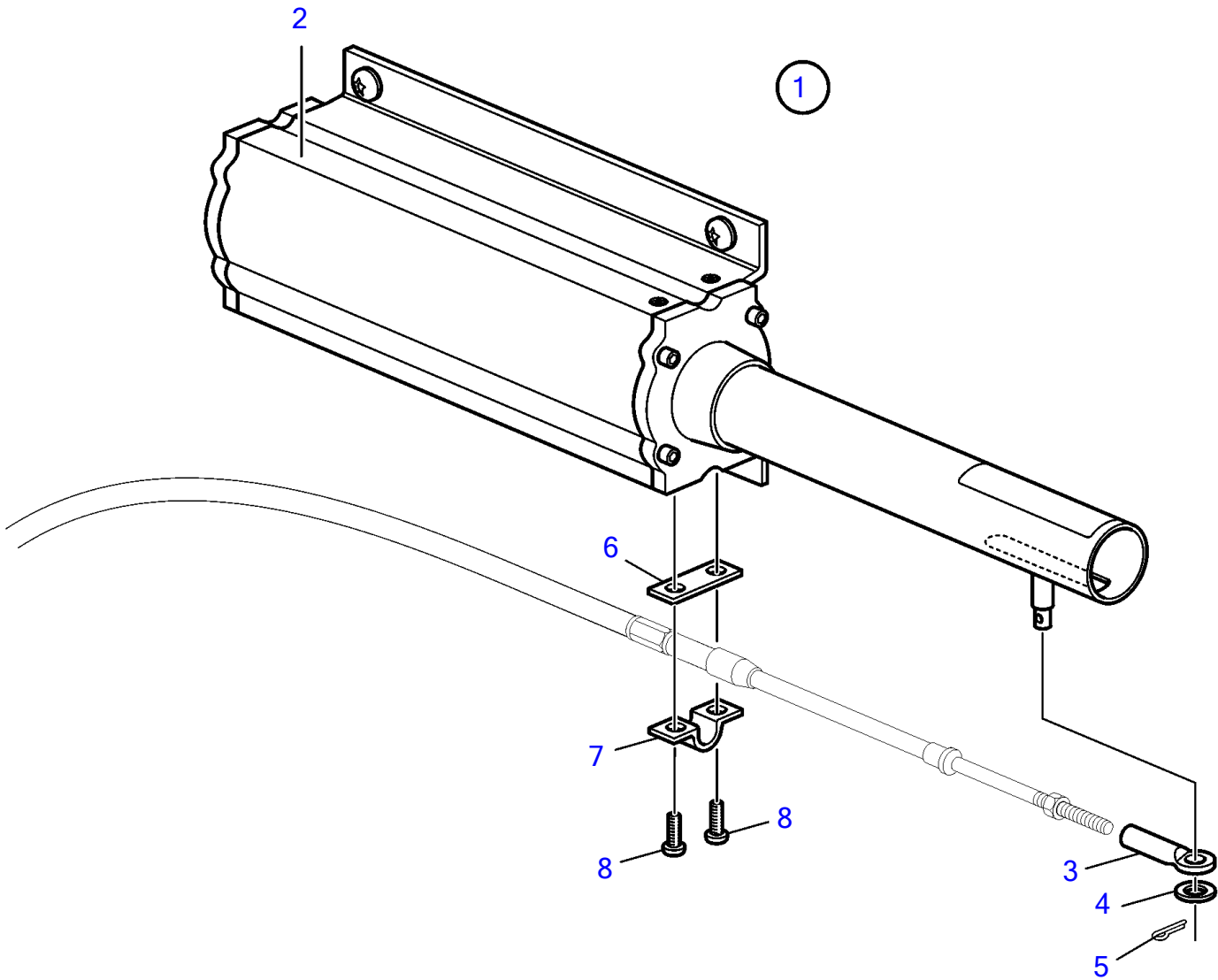


D4-210A-A, D4-210A-B, D4-225A-B, D4-225A-C, D4-225A-D, D4-260A-A, D4-260A-B, D4-260A-C, D4-260A-D, D4-300A-A, D4-300A-C, D4-300A-D, D4-225A-E, D4-260A-E, D4-300A-E, DPH-A, DPH-B, DPR-A, DPR-B



24272

D4-210A-A, D4-210A-B, D4-225A-B, D4-225A-C, D4-225A-D, D4-260A-A, D4-260A-B, D4-260A-C, D4-260A-D, D4-300A-A, D4-300A-C, D4-300A-D, D4-225A-E, D4-260A-E, D4-300A-E, DPH-A, DPH-B, DPR-A, DPR-B

REF	PART NO.	QTY	DESCRIPTION	NOTES
1	3817496	1	Actuator	Replaced by 21146097
	21146097	1	Actuator	
2		1	• Actuator	
3	3850941	1	• Adapter	
4	940191	1	• Washer	
5	17253	1	• Split pin	
6	819068	1	• Washer	
7	21471054	1	• Bracket	
8	973155	2	• 6 point socket screw	