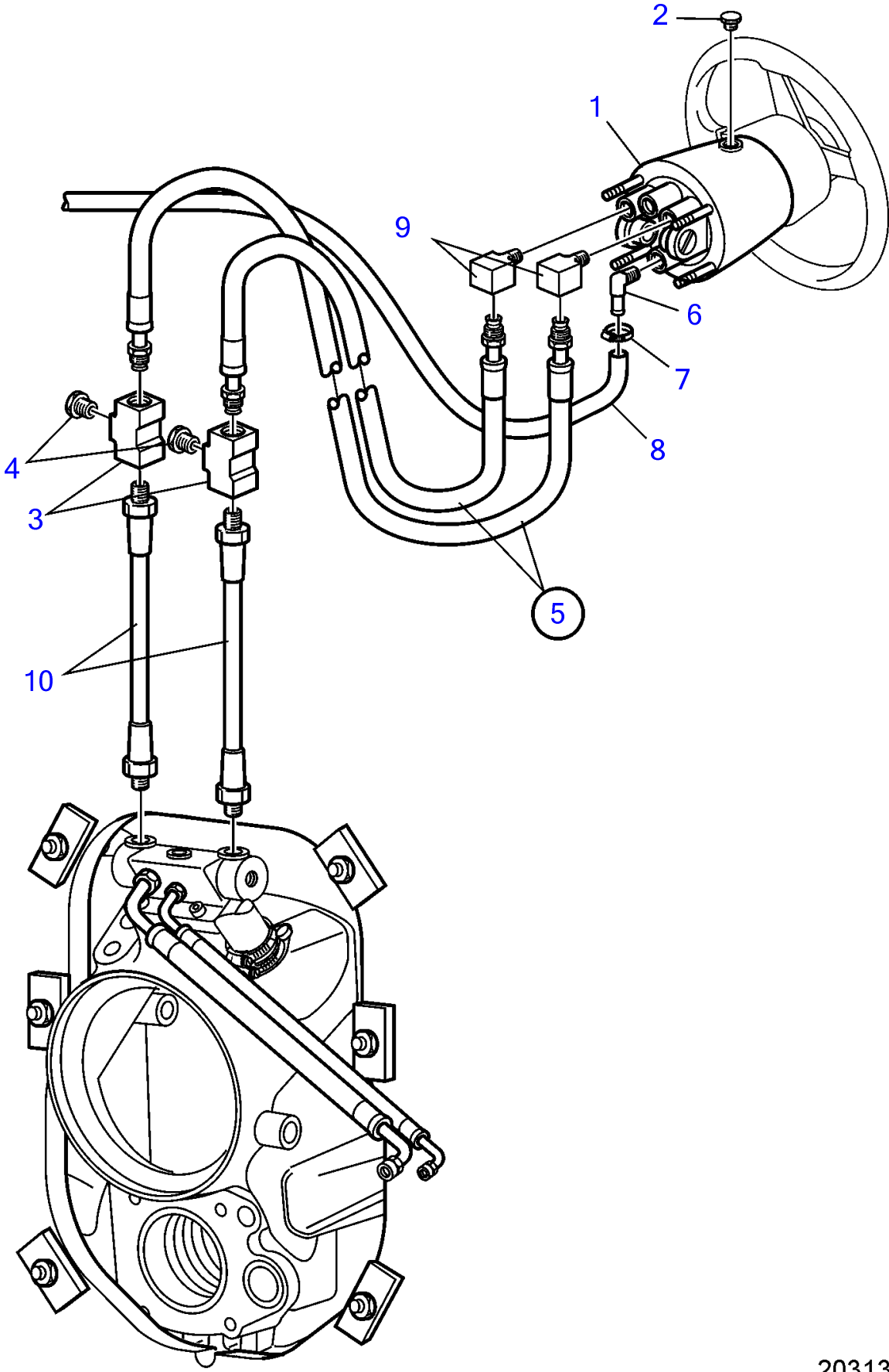


D4-210A-A, D4-210A-B, D4-225A-B, D4-260A-A, D4-260A-B



D4-210A-A, D4-210A-B, D4-225A-B, D4-260A-A, D4-260A-B

REF	PART NO.	QTY	DESCRIPTION	NOTES
1	888154	1	Pump	Std
	888155	1	Pump	Tilt
2	889171	1	Plug	Alt
	3588306	1	Plug, air venting	Alt
3	984414	2	T-nipple	
4	984377	2	Plug	
5	889150	1	Transom shield	L=0.5m
	889151	1	Transom shield	L=2,0m
	889152	1	Transom shield	L=13.0' (4.0m)
	889153	1	Transom shield	L=4,5m
	889154	1	Transom shield	L=5.0m
	889155	1	Transom shield	L=18.0' (5.5m)
	889156	1	Transom shield	L=6.0m
	889157	1	Transom shield	L=6,5m
	889158	1	Transom shield	L=7.0m
	889159	1	Transom shield	L=7,5m
	889160	1	Transom shield	L=8.0m
	889161	1	Transom shield	L=28.0' (8.5m)
	889162	1	Transom shield	L=9.0m
	889163	1	Transom shield	L=9,5m
	889164	1	Transom shield	L=10,0m
	889165	1	Transom shield	L=10,5m
	889167	1	Transom shield	L=11.0m
	(889168)	1	Transom shield	Obsolete part, L=11,5m
	889169	1	Transom shield	L=12,0m
6	947681	1	• Hose nipple	
7	961664	2	• Hose clamp	
8	889136	1	• Hose	L=23.0' (7.0m)
	889148	1	• Return hose	L=9.0m
9	3852525	2	• Fitting	Obsolete part, (984412)
10	888202	2	Hose assembly	

7746200-64-7091

20313

Upd:2012-02-23