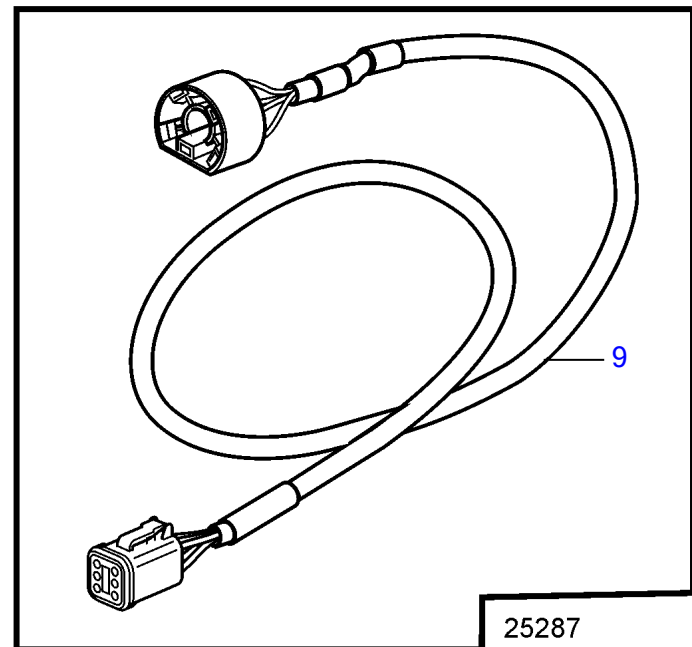
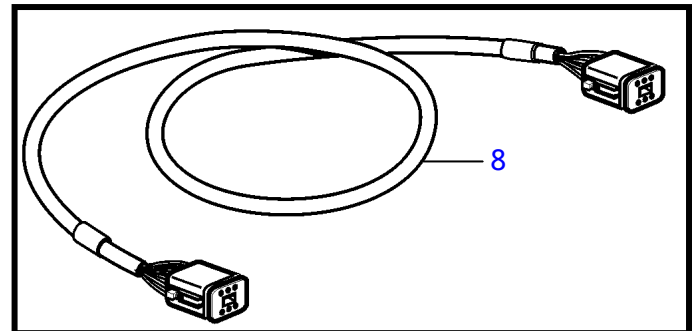
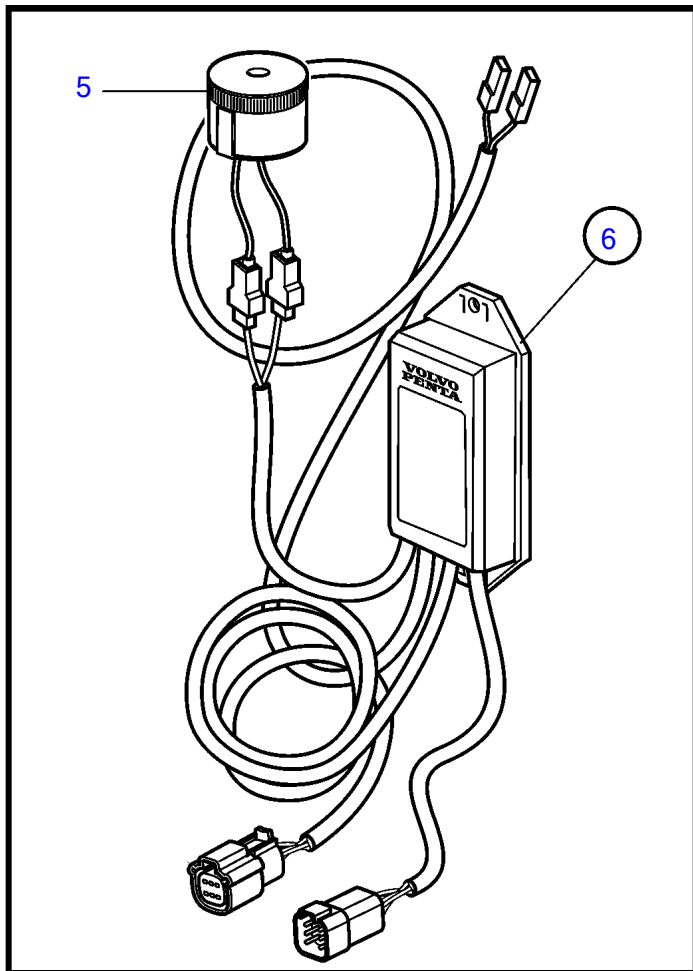
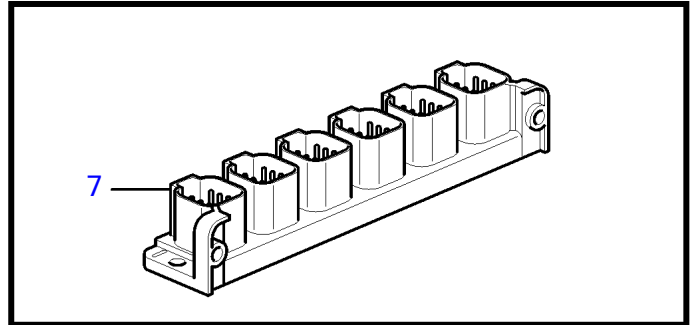
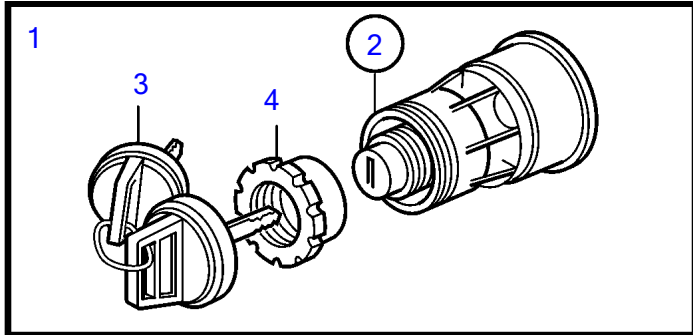


D4-180I-E, D4-225A-E, D4-225I-E, D4-260A-E, D4-260D-E, D4-260I-E, D4-300A-E, D4-300D-E, D4-300I-E



25287

D4-180I-E, D4-225A-E, D4-225I-E, D4-260A-E, D4-260D-E, D4-260I-E, D4-300A-E, D4-300D-E, D4-300I-E

REF	PART NO.	QTY	DESCRIPTION	SEE SEC.	NOTES
1	3587070	1	Starter switch		Kit with 2 key switch with identical key.
2	3587071	1	• Starter switch		
3	859955	1	• • Plastic nut		
4	859953	2	• • • Key		State key code when ordering.
			• Bulletin 49-30	49-30-EN	Key P/N 859953
5	21461496	2	Network adapter		
6	3817974	1	• Alarm		
7	21469055	1	Connection block		
8	3886666	5	Cable		
9	881849	2	Wiring harness		