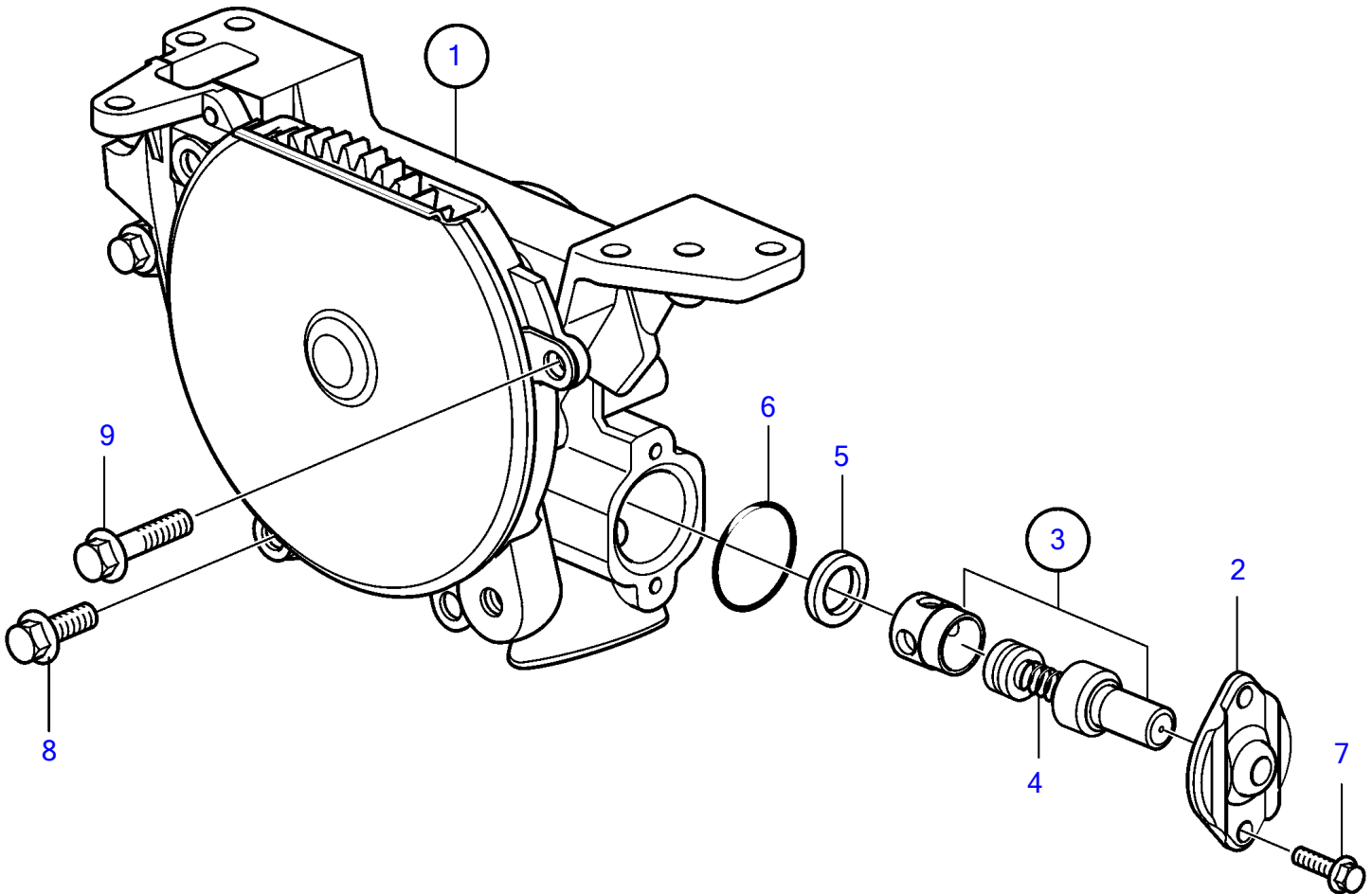


D4-180I-B, D4-180I-C, D4-180I-D, D4-180I-E, D4-210A-A, D4-210A-B, D4-210I-A, D4-210I-B, D4-225A-B, D4-225A-C, D4-225A-D, D4-225I-B, D4-225I-C, D4-225I-D, D4-260A-A, D4-260A-B, D4-260A-C, D4-260A-D, D4-260D-B, D4-260D-C, D4-260D-D, D4-260I-A, D4-260I-B, D4-260I-C, D4-260I-D, D4-300A-A, D4-300A-C, D4-300A-D, D4-300D-A, D4-300D-C, D4-300I-A, D4-300I-C, D4-300I-D, D4-225A-E, D4-225I-E, D4-260A-E, D4-260D-E, D4-260I-E, D4-300A-E, D4-300D-E, D4-300D-D, D4-300I-E



24266

D4-180I-B, D4-180I-C, D4-180I-D, D4-180I-E, D4-210A-A, D4-210A-B, D4-210I-A, D4-210I-B, D4-225A-B, D4-225A-C, D4-225A-D, D4-225I-B, D4-225I-C, D4-225I-D, D4-260A-A, D4-260A-B, D4-260A-C, D4-260A-D, D4-260D-B, D4-260D-C, D4-260D-D, D4-260I-A, D4-260I-B, D4-260I-C, D4-260I-D, D4-300A-A, D4-300A-C, D4-300A-D, D4-300D-A, D4-300D-C, D4-300I-A, D4-300I-C, D4-300I-D, D4-225A-E, D4-225I-E, D4-260A-E, D4-260D-E, D4-260I-E, D4-300A-E, D4-300D-E, D4-300D-D, D4-300I-E

REF	PART NO.	QTY	DESCRIPTION	NOTES
1	3582667	1	Oil pump	
2	471648	1	• Cover	
3	3826265	1	• Reduction valve	
4	3826266	1	• • Spring	
5	469846	1	• Sealing ring	
6	949659	1	• O-ring	
7	946544	2	• Flange screw	L=16mm
8	946470	2	• Flange screw	L=35mm
9	967949	2	• Flange screw	L=12mm