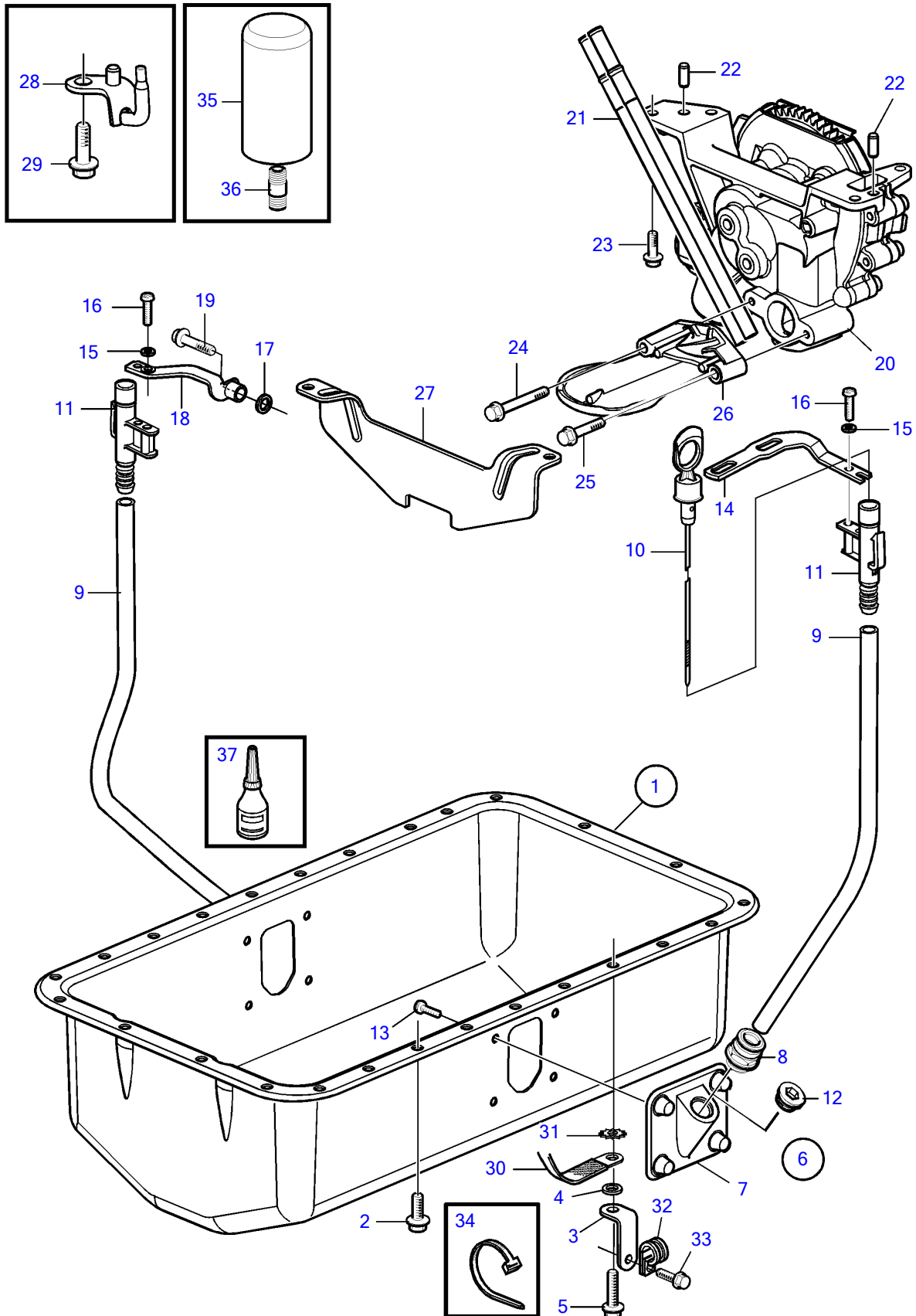


D4-180I-B, D4-210A-A, D4-210A-B, D4-210I-A, D4-210I-B, D4-225A-B, D4-225I-B, D4-260A-A, D4-260A-B, D4-260D-B, D4-260I-A, D4-260I-B, D4-300A-A, D4-300D-A, D4-300I-A



D4-180I-B, D4-210A-A, D4-210A-B, D4-210I-A, D4-210I-B, D4-225A-B, D4-225I-B, D4-260A-A, D4-260A-B, D4-260D-B, D4-260I-A, D4-260I-B, D4-300A-A, D4-300D-A, D4-300I-A

REF	PART NO.	QTY	DESCRIPTION	SEE SEC.	NOTES
1	3582685	1	Sump		
2	946440	21	Flange screw		
3	3584088	5	Angle bracket		
4	941744	5	Washer		
5	946173	4	Flange screw		
6	3887580	1	Pipe retainer		
7	3886957	2	• Pipe retainer		
8	3886951	1	• Nipple		
9	3593955	1	Pipe		
10	21650012	1	Oil dipstick		
11	11129411	1	Anchorage		
12	3886953	1	Plug		
13	969420	8	6 point socket screw		
14	21226128	1	Bracket		
15	960138	1	Washer		
16	975378	1	6 point socket screw		
17	191172	1	Washer		
18	3584458	1	Bracket		
19	947760	1	Flange screw		
20	3582667	1	Oil pump		
			•	6479	
21	3583465	2	Drain pipe		
22	950564	2	Pin		
23	946173	4	Flange screw		
24	965181	1	Flange screw		L=70mm
25	973924	1	Flange screw		L=50mm
26	3583127	1	Oil strainer		
27	3582791	1	Baffle plate		
28	3883144	4	Piston cooling jet		
29	3583804	4	Screw		
30	968048	1	Chassis ground cable		Sump-alternator.
31	942767	1	Toothed washer		
32	961664	1	Hose clamp		
33	945444	1	Flange screw		
34	948211	1	Cable tie		
35	21632901	1	Oil filter	6548	
	3582732	1	Oil filter	6548	
			• Bulletin P-18-3-4	P-18-3-4-EN	Return of Oil Filter
36	423067	1	Nipple	6548	
	3583695	1	Nipple	6548	
37	888661	X	Adhesive		300ml