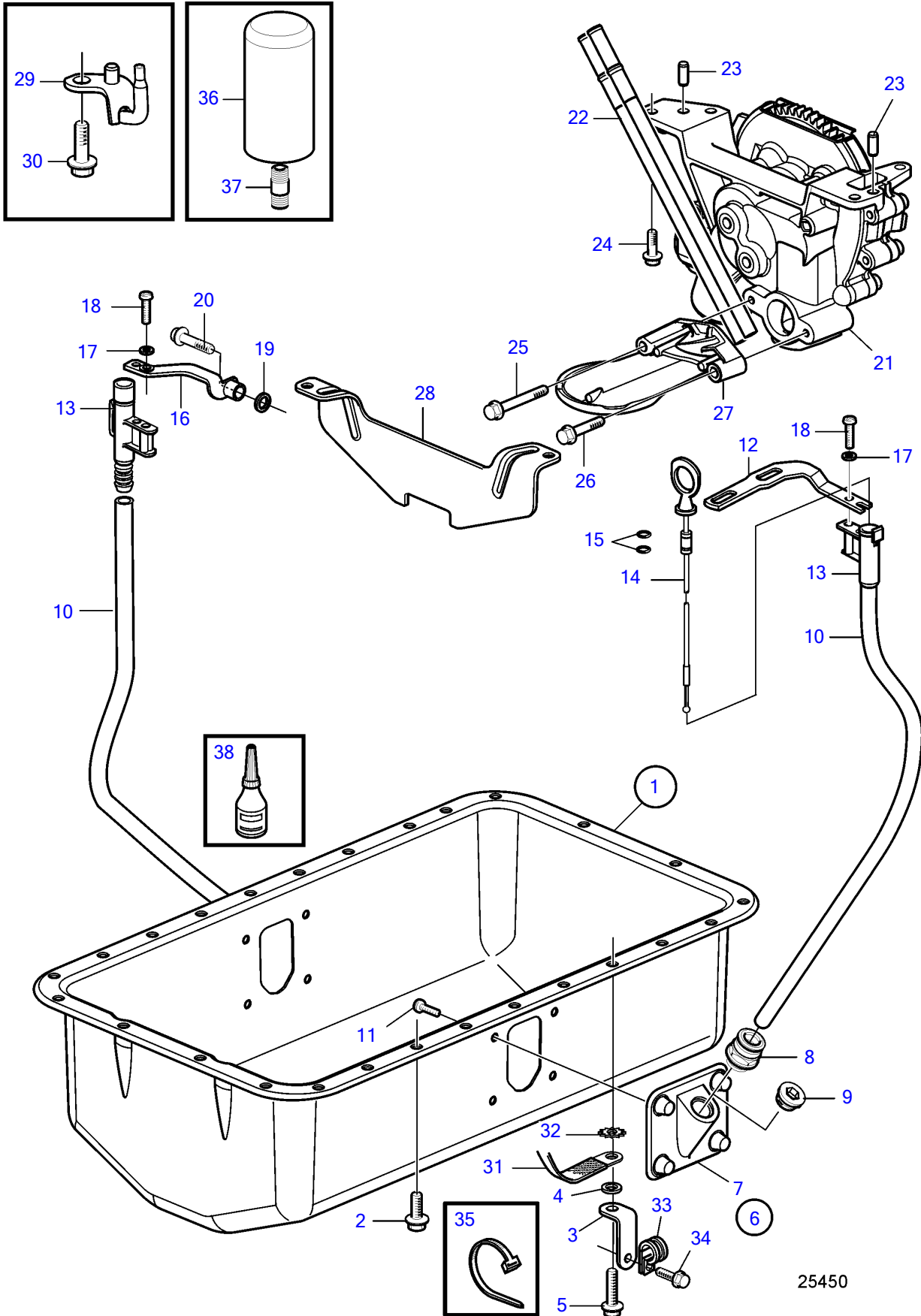


D4-180I-B, D4-210A-A, D4-210A-B, D4-210I-A, D4-210I-B, D4-225A-B, D4-225I-B, D4-260A-A, D4-260A-B, D4-260D-B, D4-260I-A, D4-260I-B, D4-300A-A, D4-300D-A, D4-300I-A



D4-180I-B, D4-210A-A, D4-210A-B, D4-210I-A, D4-210I-B, D4-225A-B, D4-225I-B, D4-260A-A, D4-260A-B, D4-260D-B, D4-260I-A, D4-260I-B, D4-300A-A, D4-300D-A, D4-300I-A

REF	PART NO.	QTY	DESCRIPTION	SEE SEC.	NOTES
1	3582685	1	Sump		
2	946440	21	Flange screw		
3	3584088	5	Angle bracket		
4	941744	5	Washer		
5	946173	4	Flange screw		
6	3887580	1	Pipe retainer		For dipstick side.
7	3886957	1	• Pipe retainer		
8	3886951	1	• Nipple		
9	3886953	1	Plug		
10	3887559	1	Pipe		
11	969420	8	6 point socket screw		
12	21226128	1	Bracket		Alt
13		1	Bracket		
14	3589304	1	Oil dipstick		
15	949187	2	• O-ring		
16	3584458	1	Bracket		Alt
17	960138	1	Washer		
18	975378	1	6 point socket screw		
19	191172	1	Washer		
20	947760	1	Flange screw		
21	3582667	1	Oil pump		
			•	6479	
22	3583465	2	Drain pipe		
23	950564	2	Pin		
24	946173	4	Flange screw		
25	965181	1	Flange screw		L=70mm
26	973924	1	Flange screw		L=50mm
27	3583127	1	Oil strainer		
28	3582791	1	Baffle plate		
29	3883144	4	Piston cooling jet		
30	3583804	4	Screw		
31	968048	1	Chassis ground cable		Sump-alternator.
32	942767	1	Toothed washer		
33	961664	1	Hose clamp		
34	945444	1	Flange screw		
35	948211	1	Cable tie		
36	21632901	1	Oil filter	6548	
	3582732	1	Oil filter	6548	
			• Bulletin P-18-3-4	P-18-3-4-EN	Return of Oil Filter
37	423067	1	Nipple	6548	
	3583695	1	Nipple	6548	
38	888661	X	Adhesive		300ml

7746200-22-21915

25450

Upd:2012-02-23