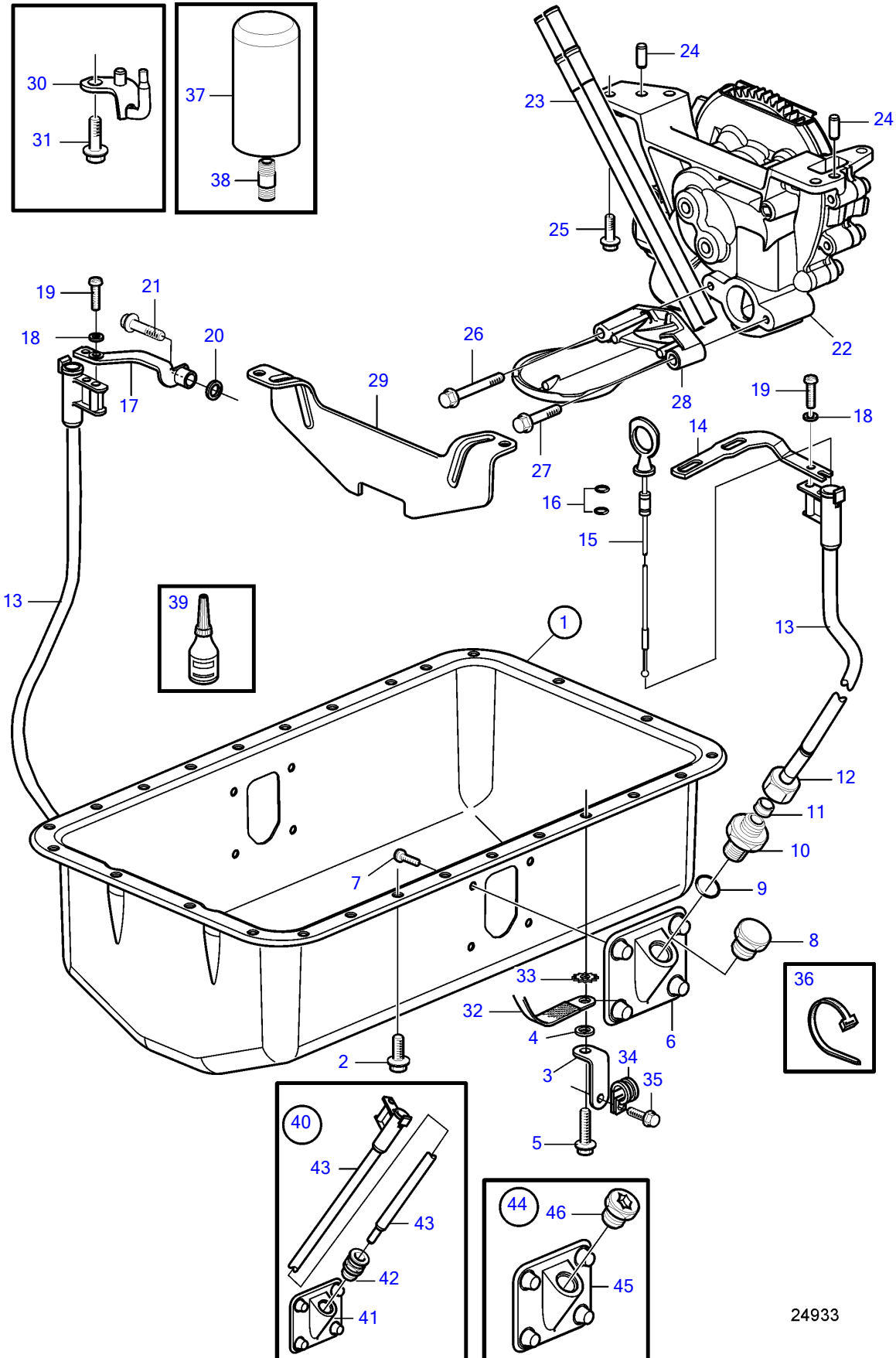


D4-180I-B, D4-210A-A, D4-210A-B, D4-210I-A, D4-210I-B, D4-225A-B, D4-225I-B, D4-260A-A, D4-260A-B, D4-260D-B, D4-260I-A, D4-260I-B, D4-300A-A, D4-300D-A, D4-300I-A



24933

D4-180I-B, D4-210A-A, D4-210A-B, D4-210I-A, D4-210I-B, D4-225A-B, D4-225I-B, D4-260A-A, D4-260A-B, D4-260D-B, D4-260I-A, D4-260I-B, D4-300A-A, D4-300D-A, D4-300I-A

REF	PART NO.	QTY	DESCRIPTION	SEE SEC.	NOTES
1	3582685	1	Sump		
2	946440	21	Flange screw		
3	3584088	5	Angle bracket		
4	941744	5	Washer		
5	946173	4	Flange screw		
6	3583624	2	Pipe retainer		Replaced by 3887580 for dipstick side., Replaced by 3887581 for plugged side.
	3887580	1	Pipe retainer		For dipstick side.
	3887581	1	Pipe retainer		For plugged side.
7	969420	8	6 point socket screw		
8	3819272	1	Plug		
9	925058	2	O-ring		
10		1	Adapter		
11	980782	1	Ferrule		
12	956984	1	Fitting nut		
13	3807990	1	Pipe		
14	21226128	1	Bracket		Alt
15	3589304	1	Oil dipstick		
16	949187	2	• O-ring		
17	3584458	1	Bracket		Alt
18	960138	1	Washer		
19	975378	1	6 point socket screw		
20	191172	1	Washer		
21	947760	1	Flange screw		
22	3582667	1	Oil pump		
			•	6479	
23	3583465	2	Drain pipe		
24	950564	2	Pin		
25	946173	4	Flange screw		
26	965181	1	Flange screw		L=70mm
27	973924	1	Flange screw		L=50mm
28	3583127	1	Oil strainer		
29	3582791	1	Baffle plate		
30	3883144	4	Piston cooling jet		
31	3583804	4	Screw		
32	968048	1	Chassis ground cable		Sump-alternator.
33	942767	1	Toothed washer		
34	961664	1	Hose clamp		
35	945444	1	Flange screw		
36	948211	1	Cable tie		
37	21632901	1	Oil filter	6548	
	3582732	1	Oil filter	8439	
			• Bulletin P-18-3-4	P-18-3-4-EN	Return of Oil Filter
37				35148	
38	423067	1	Nipple	6548	
	3583695	1	Nipple	6548	
39	888661	X	Adhesive		300ml
40	3887580	1	Pipe retainer		
41	3886957	1	• Pipe retainer		
42	3886951	1	• Nipple		
43	3887559	1	• Pipe		
44	3887581	1	Pipe retainer		
45	3886957	1	• Pipe retainer		
46	3886953	1	• Plug		

7746200-22-35845

24933

Upd:2012-02-23