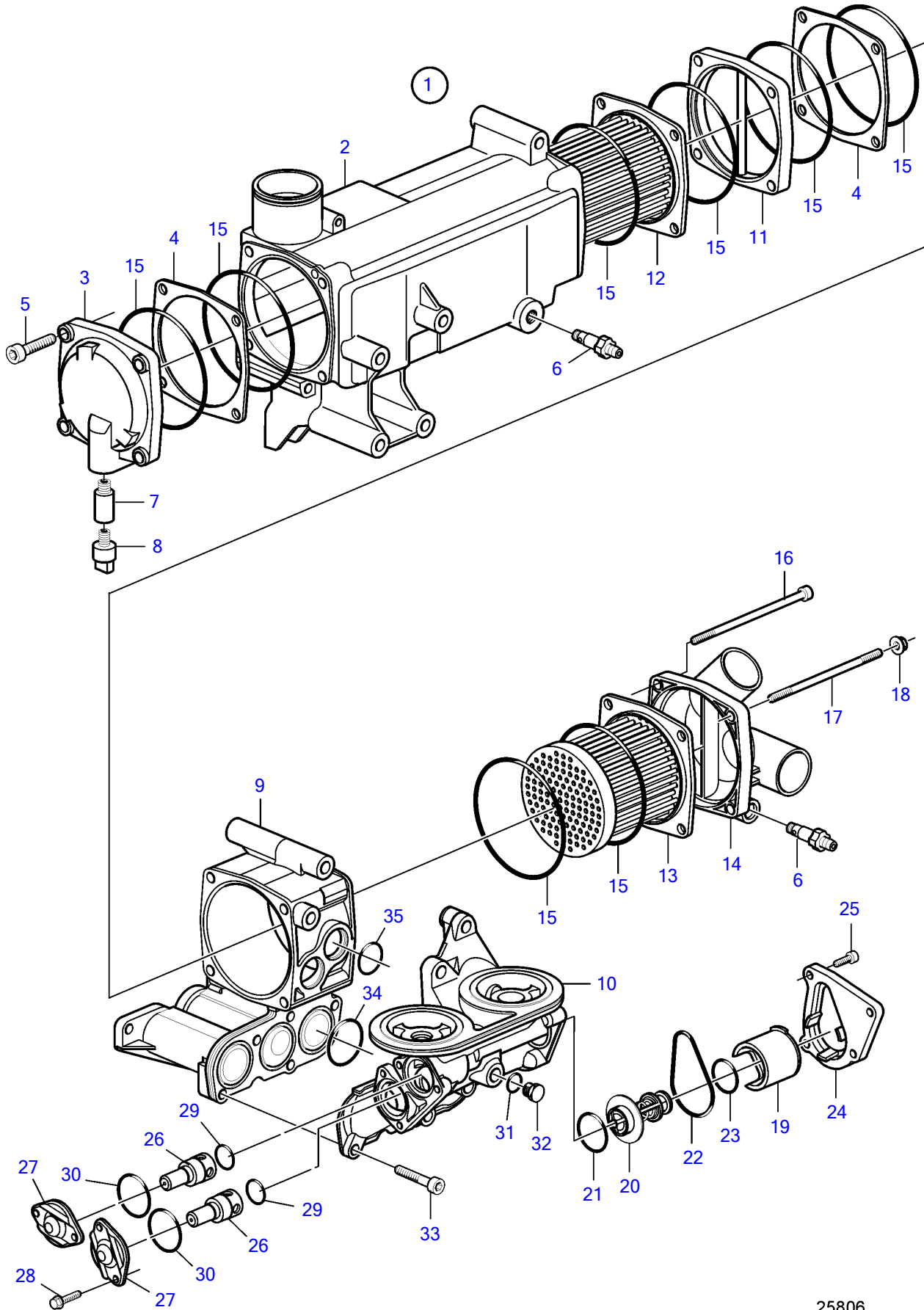


D4-210A-A, D4-210I-A, D4-260A-A, D4-260I-A



D4-210A-A, D4-210I-A, D4-260A-A, D4-260I-A

REF	PART NO.	QTY	DESCRIPTION	NOTES
1	3582298	1	Heat exchanger	
2		1	• Housing	
3	3583641	1	• End cover	
4	3583646	2	• Spacer	
5	959223	4	• Hex. socket screw	
6	3583822	2	• Draining nipple	
7	838929	1	• Anode	
8	838928	1	• Plug	
9	3583643	1	• Housing	
10	3584419	1	• Housing	
11	3583642	1	• Spacer	
12	3583644	1	• Tube	
13	3583645	1	• Tube	
14	3583640	1	• Cardboard tube	
15	3583647	8	• O-ring	
16	21122819	2	• Hex. socket screw	
17	3583650	2	• Stud	
18	945408	2	• Flange nut	
19	3583829	1	• Retainer	
20		1	• Thermostat	Including in kit 3588437
21	3583830	1	• O-ring	
22	3583831	1	• O-ring	
23	3583832	1	• O-ring	
24	3583828	1	• Cover	
25	947542	4	• Flange screw	
26	471706	2	• Reduction valve	
27	471648	2	• Cover	
28	946544	4	• Flange screw	
29	949659	2	• O-ring	
30	3583834	2	• O-ring	
31	947282	1	• Gasket	
32	960629	1	• Plug	
33	959223	5	• Hex. socket screw	
34	866690	3	• O-ring	
35	3885174	2	• O-ring	

7746200-26-6535

25806

Upd:2012-02-23

D4-180I-B, D4-180I-C, D4-180I-D, D4-180I-E, D4-210A-A, D4-210A-B, D4-210I-A, D4-210I-B, D4-225A-B, D4-225A-C, D4-225A-D, D4-225I

**VOLVO**  
**PENTA**