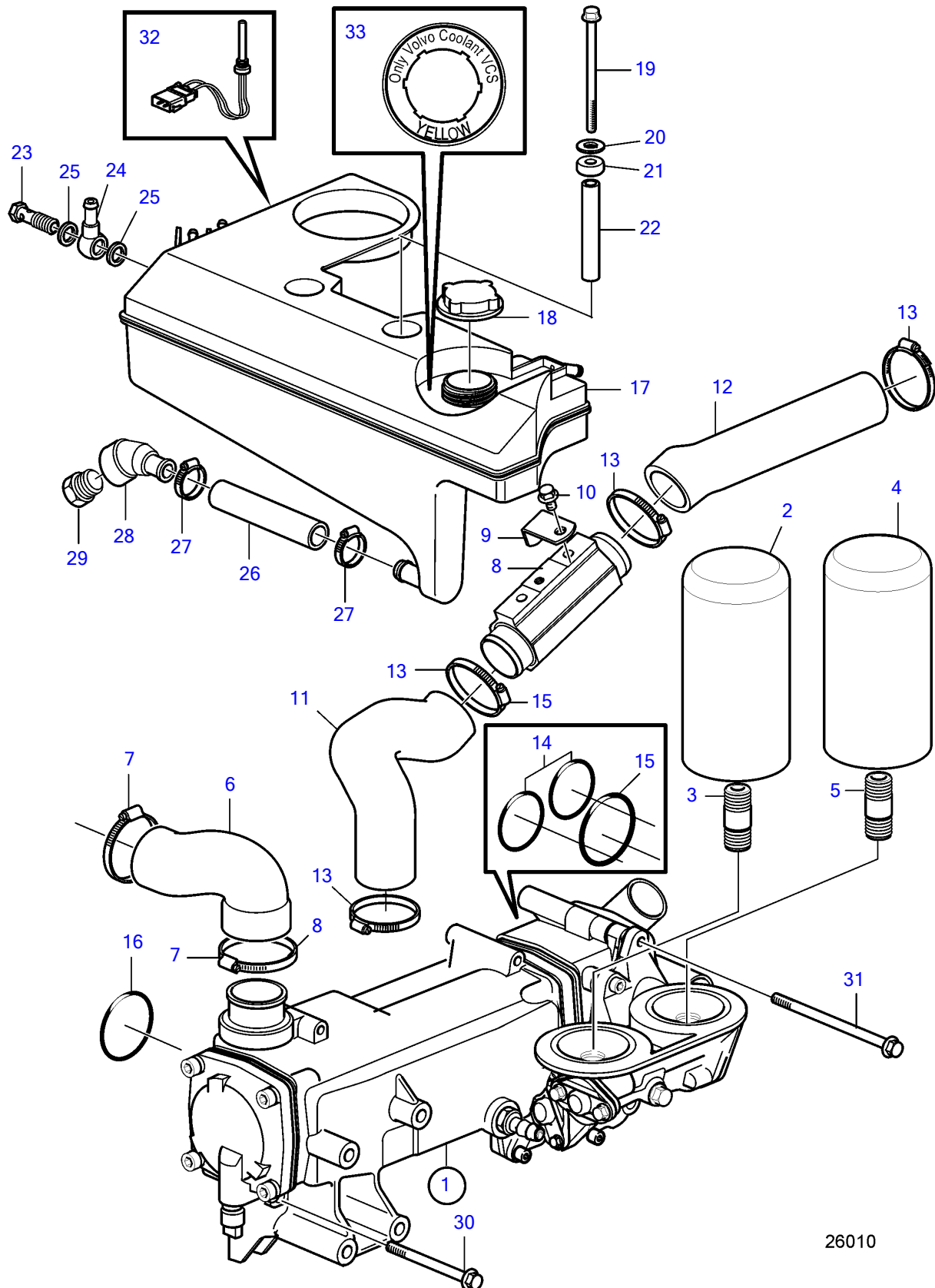


D4-180I-B, D4-180I-C, D4-180I-D, D4-180I-E, D4-210A-A, D4-210A-B, D4-210I-A, D4-210I-B, D4-225A-B, D4-225A-C, D4-225A-D, D4-225I-B, D4-225I-C, D4-225I-D, D4-260A-A, D4-260A-B, D4-260A-C, D4-260A-D, D4-260D-B, D4-260D-C, D4-260D-D, D4-260I-A, D4-260I-B, D4-260I-C, D4-260I-D, D4-300A-A, D4-300A-C, D4-300A-D, D4-300D-A, D4-300D-C, D4-300I-A, D4-300I-C, D4-300I-D, D4-225A-E, D4-225I-E, D4-260A-E, D4-260D-E, D4-260I-E, D4-300A-E, D4-300D-E, D4-300D-D, D4-300I-E



26010

D4-180I-B, D4-180I-C, D4-180I-D, D4-180I-E, D4-210A-A, D4-210A-B, D4-210I-A, D4-210I-B, D4-225A-B, D4-225A-C, D4-225A-D, D4-225I-B, D4-225I-C, D4-225I-D, D4-260A-A, D4-260A-B, D4-260A-C, D4-260A-D, D4-260D-B, D4-260D-C, D4-260D-D, D4-260I-A, D4-260I-B, D4-260I-C, D4-260I-D, D4-300A-A, D4-300A-C, D4-300A-D, D4-300D-A, D4-300D-C, D4-300I-A, D4-300I-C, D4-300I-D, D4-225A-E, D4-225I-E, D4-260A-E, D4-260D-E, D4-260I-E, D4-300A-E, D4-300D-E, D4-300D-D, D4-300I-E

REF	PART NO.	QTY	DESCRIPTION	SEE SEC.	NOTES
1	40005711	1	Heat exchanger		
			.	35207	
2	21632901	1	Oil filter		By pass
3	423067	1	Nipple		
4	3582732	1	Oil filter		Full flow.
			• Bulletin P-18-3-4	P-18-3-4-EN	Return of Oil Filter
5	3583695	1	Nipple		
6	3808093	1	Hose		(3582929)
7	961672	2	Hose clamp		
8	40005787	1	Fuel cooler		
9	21107541	1	Bracket		
10	946025	1	Flange screw		
11	3888922	1	Hose		
12	3583011	1	Hose		
13	943479	4	Hose clamp		
14	949722	2	O-ring		
15	976041	1	O-ring		
16	969415	1	O-ring		
17	3887582	1	Expansion tank		(3584072)
18	1674083	1	Pressure cap		
19	965184	2	Flange screw		L=100mm
20	976944	2	Washer		
21	3285120	2	Grommet		
22	3583863	2	Spacer sleeve		
23	969299	1	Hollow screw		
24	858750	1	Banjo nipple		
25	11994	2	Gasket		
26	952969	1	Hose		
27	943472	2	Hose clamp		
28	3808586	1	T-nipple		(3584237)
29	479956	1	Plug		
30	965184	4	Flange screw		
31	968893	1	Flange screw		
32	3547710	1	Level guard		
33	21506995	1	Label		

7746200-26-35148

26010

Upd:2012-02-23