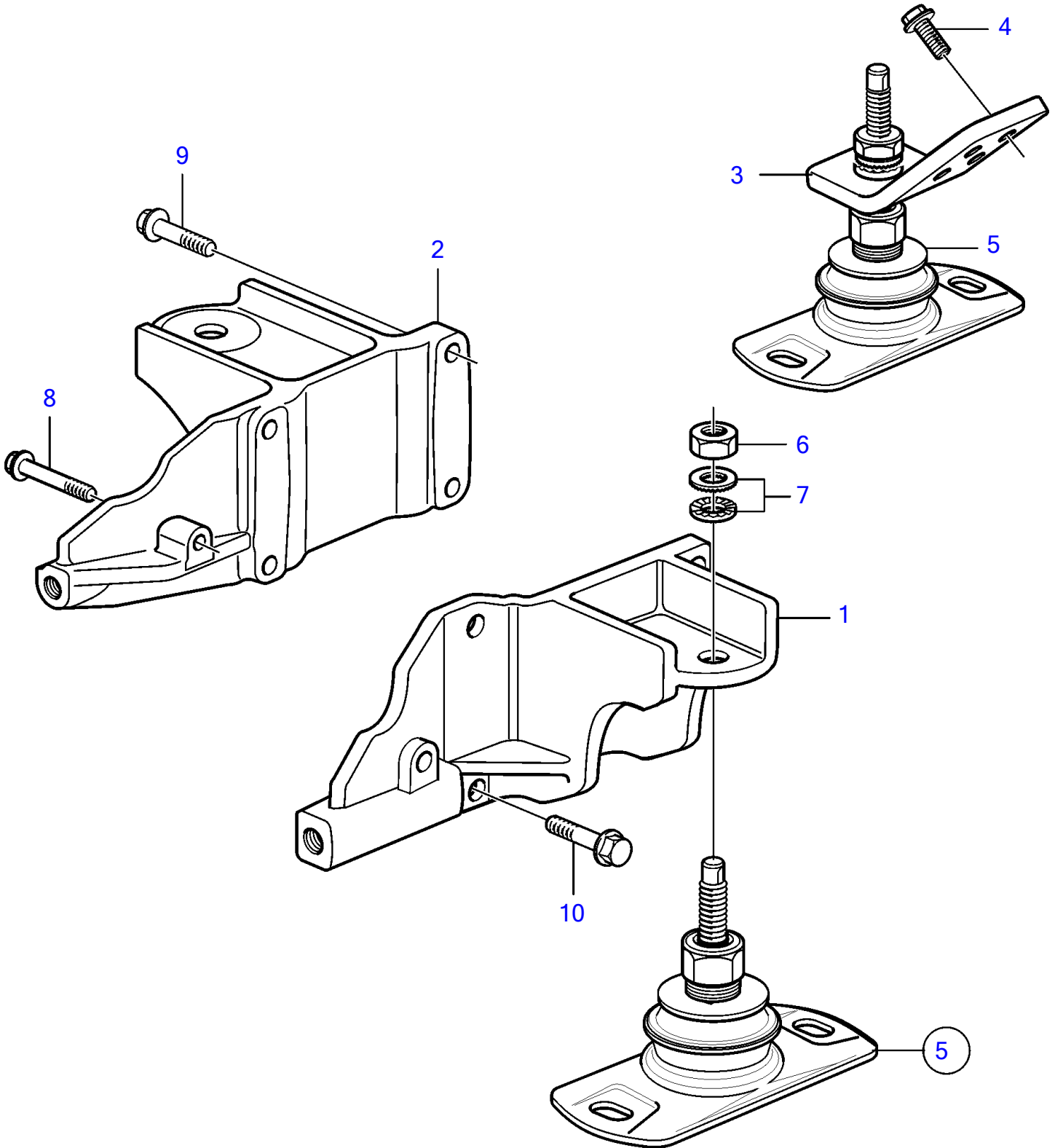


D4-180I-C, D4-180I-D, D4-180I-E, D4-225I-C, D4-225I-D, D4-260D-C, D4-260I-C, D4-260I-D, D4-300D-C, D4-300I-C, D4-300I-D, D4-225I-E, D4-260I-E, D4-300D-D, D4-300I-E



23893

D4-180I-C, D4-180I-D, D4-180I-E, D4-225I-C, D4-225I-D, D4-260D-C, D4-260I-C, D4-260I-D, D4-300D-C, D4-300I-C, D4-300I-D, D4-225I-E, D4-260I-E, D4-300D-D, D4-300I-E

| REF | PART NO. | QTY | DESCRIPTION | SEE SEC. | NOTES |
|-----|----------|-----|---------------------|-------------|-----------------------------------|
| 1 | 3583516 | 1 | Engine bracket | | |
| 2 | 3807719 | 1 | Engine bracket | | S.B, Front |
| 3 | 3583620 | 2 | Engine bracket | | Rear |
| 4 | 965192 | 8 | Flange screw | | L=40mm |
| 5 | 3595043 | 4 | Rubber cushion | | |
| | | | • Bulletin P-21-8-1 | P-21-8-1-EN | Comfort Engine Suspension |
| | | | • Bulletin P-08-2-2 | P-08-2-2-EN | Measuring Gauge for Rubber Mounts |
| 6 | 955786 | 1 | • Hexagon nut | | |
| 7 | 847766 | 1 | • Lock washer | | |
| 8 | 965188 | 1 | Flange screw | | L=70mm |
| 9 | 965192 | 8 | Flange screw | | L=40mm |
| 10 | 965186 | 1 | Flange screw | | L=50mm |