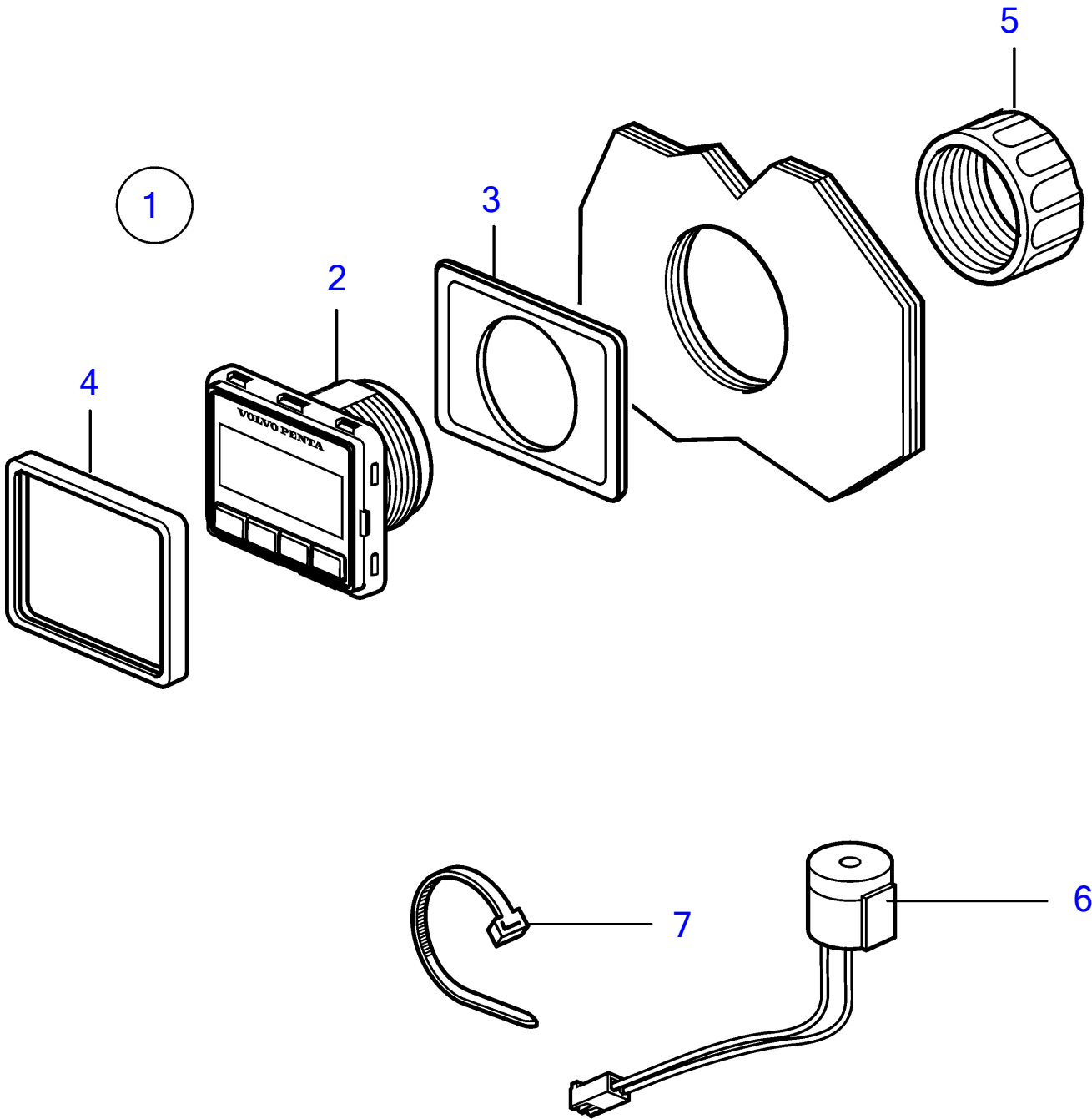


D4-180I-E, D4-225A-E, D4-225I-E, D4-260A-E, D4-260D-E, D4-260I-E, D4-300A-E, D4-300D-E, D4-300I-E



25281

D4-180I-E, D4-225A-E, D4-225I-E, D4-260A-E, D4-260D-E, D4-260I-E, D4-300A-E, D4-300D-E, D4-300I-E

REF	PART NO.	QTY	DESCRIPTION	NOTES
1	21761722	1	Display	2,5" generic button panel
2		1	• Display	
3	3808135	1	• Gasket	
4	21467057	1	• Frame	
5	874450	1	• Attaching ring	
6	21358227	1	• Buzzer	12V
7	948211	X	Cable tie	For top mounting