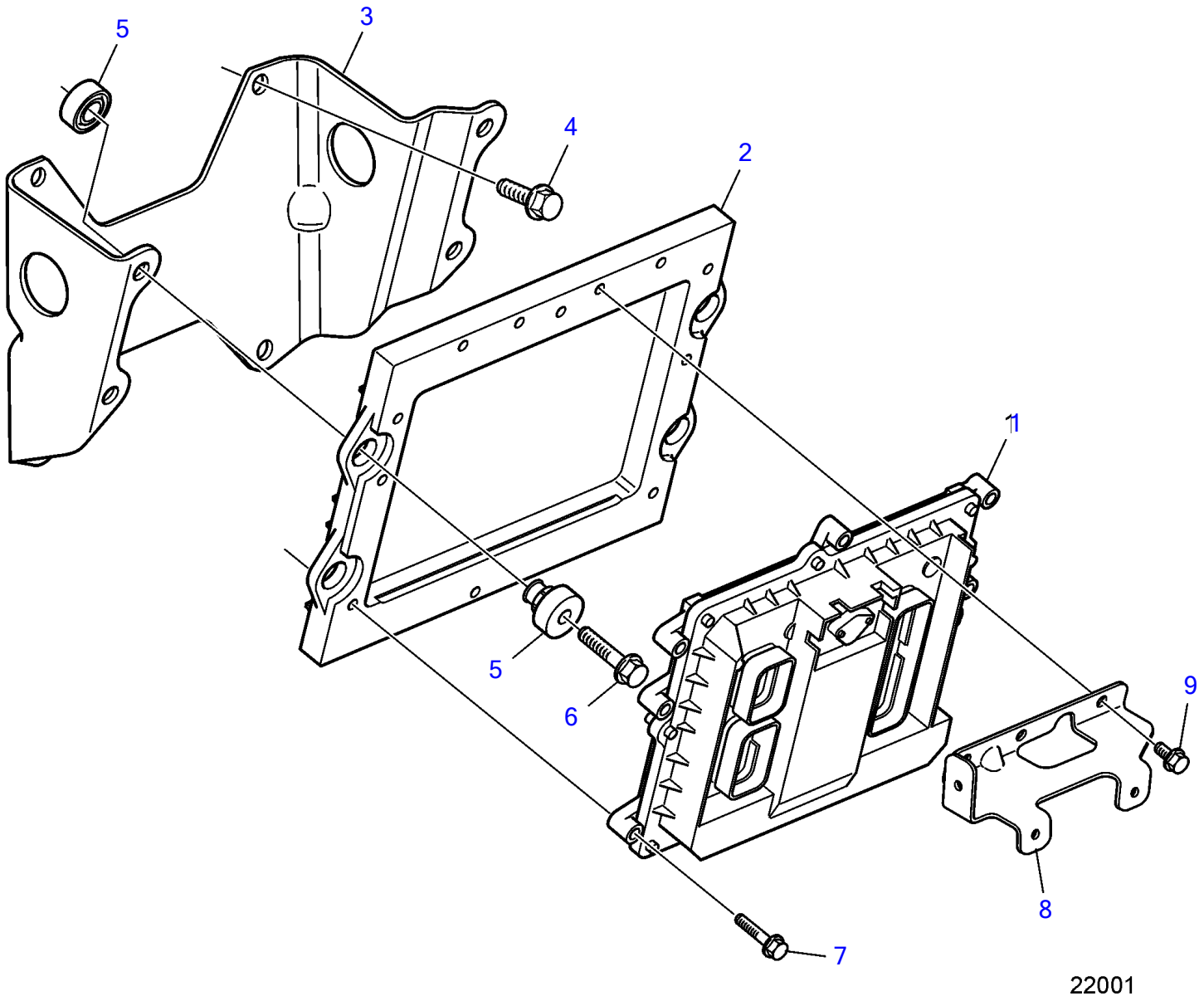


D4-180I-B, D4-180I-C, D4-180I-D, D4-180I-E, D4-210A-A, D4-210A-B, D4-210I-A, D4-210I-B, D4-225A-B, D4-225A-C, D4-225A-D, D4-225I-B, D4-225I-C, D4-225I-D, D4-260A-A, D4-260A-B, D4-260A-C, D4-260A-D, D4-260D-B, D4-260D-C, D4-260D-D, D4-260I-A, D4-260I-B, D4-260I-C, D4-260I-D, D4-300A-A, D4-300A-C, D4-300A-D, D4-300D-A, D4-300D-C, D4-300I-A, D4-300I-C, D4-300I-D, D4-225A-E, D4-225I-E, D4-260A-E, D4-260D-E, D4-260I-E, D4-300A-E, D4-300D-E, D4-300D-D, D4-300I-E



D4-180I-B, D4-180I-C, D4-180I-D, D4-180I-E, D4-210A-A, D4-210A-B, D4-210I-A, D4-210I-B, D4-225A-B, D4-225A-C, D4-225A-D, D4-225I-B, D4-225I-C, D4-225I-D, D4-260A-A, D4-260A-B, D4-260A-C, D4-260A-D, D4-260D-B, D4-260D-C, D4-260D-D, D4-260I-A, D4-260I-B, D4-260I-C, D4-260I-D, D4-300A-A, D4-300A-C, D4-300A-D, D4-300D-A, D4-300D-C, D4-300I-A, D4-300I-C, D4-300I-D, D4-225A-E, D4-225I-E, D4-260A-E, D4-260D-E, D4-260I-E, D4-300A-E, D4-300D-E, D4-300D-D, D4-300I-E

REF	PART NO.	QTY	DESCRIPTION	NOTES
1	881810	1	Control unit, not programmed	
	3586269	1	Software	Warehouse programming. This p/n can not be ordered, but will be used for invoicing.
	3586268	1	Software	Vodia-programming. This p/n can not be ordered, but will be used for invoicing.
2	3584080	1	Support	
3	3584082	1	Bracket	
4	946472	4	Flange screw	
5	3842049	4	Damping element	
6	947760	4	Flange screw	
7	948356	8	Flange screw	
8	3584146	1	Bracket	
9	967949	4	Flange screw	