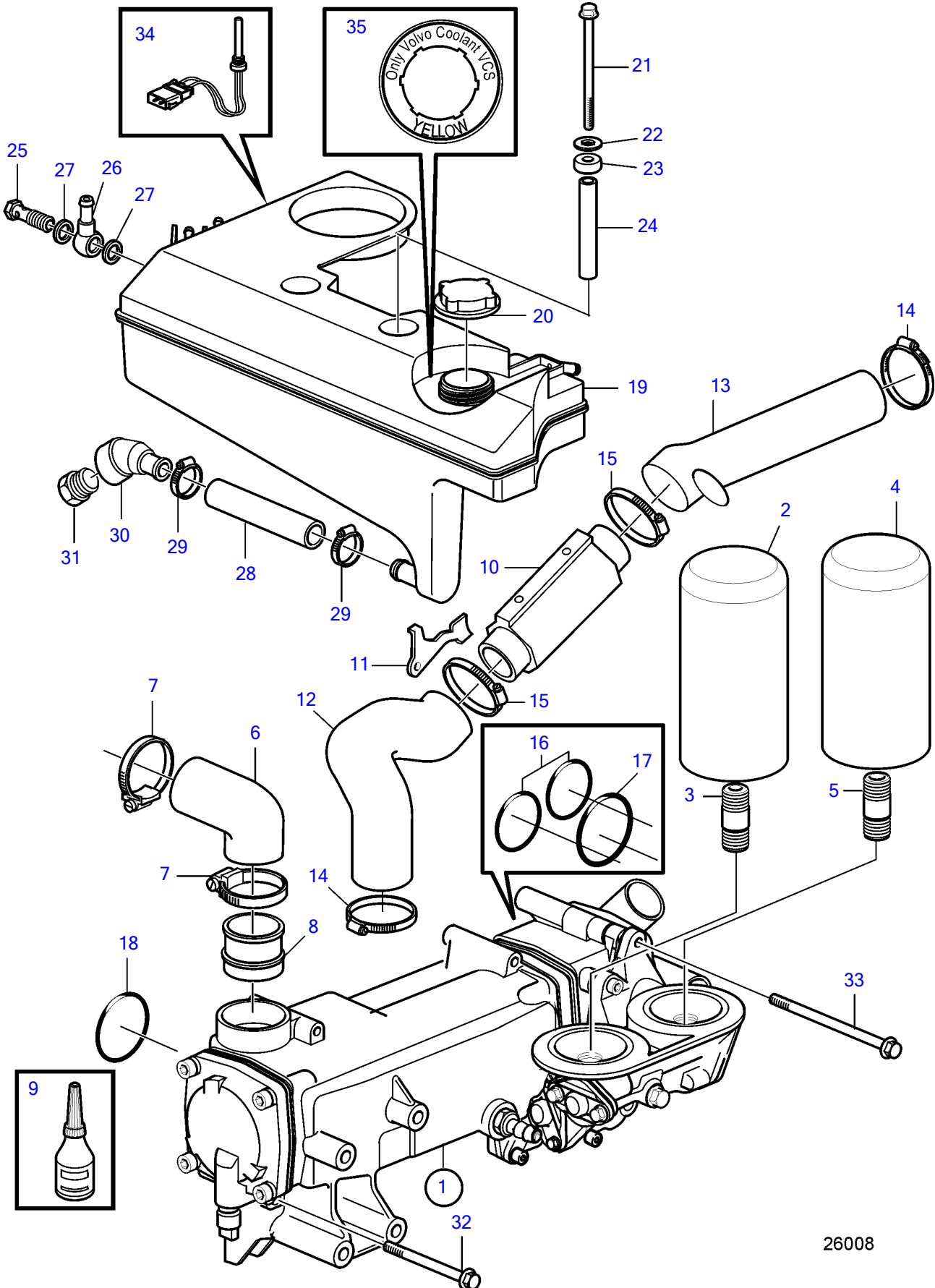


D4-210A-A, D4-210I-A, D4-260A-A, D4-260I-A



26008

D4-210A-A, D4-210I-A, D4-260A-A, D4-260I-A

REF	PART NO.	QTY	DESCRIPTION	SEE SEC.	NOTES
1	3582298	1	Heat exchanger		Replaced by 3812563
			•	6535	
	3812563	1	• Heat exchanger		
			•	8164	
2	21632901	1	Oil filter		By pass
3	423067	1	Nipple		
4	3582732	1	Oil filter		Full flow.
			• Bulletin P-18-3-4	P-18-3-4-EN	Return of Oil Filter
5	3583695	1	Nipple		
6	3808093	1	Hose	7043	Included in kit 3818868., (3582929)
7	961672	2	Hose clamp	7043	Included in kit 3818868.
8	3808092	1	Pipe connection	7043	Included in kit 3818868.
9	1161370	1	Adhesive	7043	Included in kit 3818868., 50ml
10	3583818	1	Fuel cooler		
11	3583819	1	Bracket		
12	3583009	1	Hose		
13	3583011	1	Hose		
14	943478	2	Hose clamp		
15	943479	2	Hose clamp		
16	949722	2	O-ring		
17	976041	1	O-ring		
18	969415	1	O-ring		
19	3887582	1	Expansion tank		(3584072)
20	1674083	1	Pressure cap		
21	965184	2	Flange screw		L=100mm
22	976944	2	Washer		
23	3285120	2	Grommet		
24	3583863	2	Spacer sleeve		
25	969299	1	Hollow screw		
26	858750	1	Banjo nipple		
27	11994	2	Gasket		
28	952969	1	Hose		
29	943472	2	Hose clamp		
30	3808586	1	T-nipple		(3584237)
31	479956	1	Plug		
32	965184	4	Flange screw		
33	968893	1	Flange screw		
34	3547710	1	Level guard		
35	21506995	1	Label		

7746200-26-6548

26008

Upd:2012-02-23