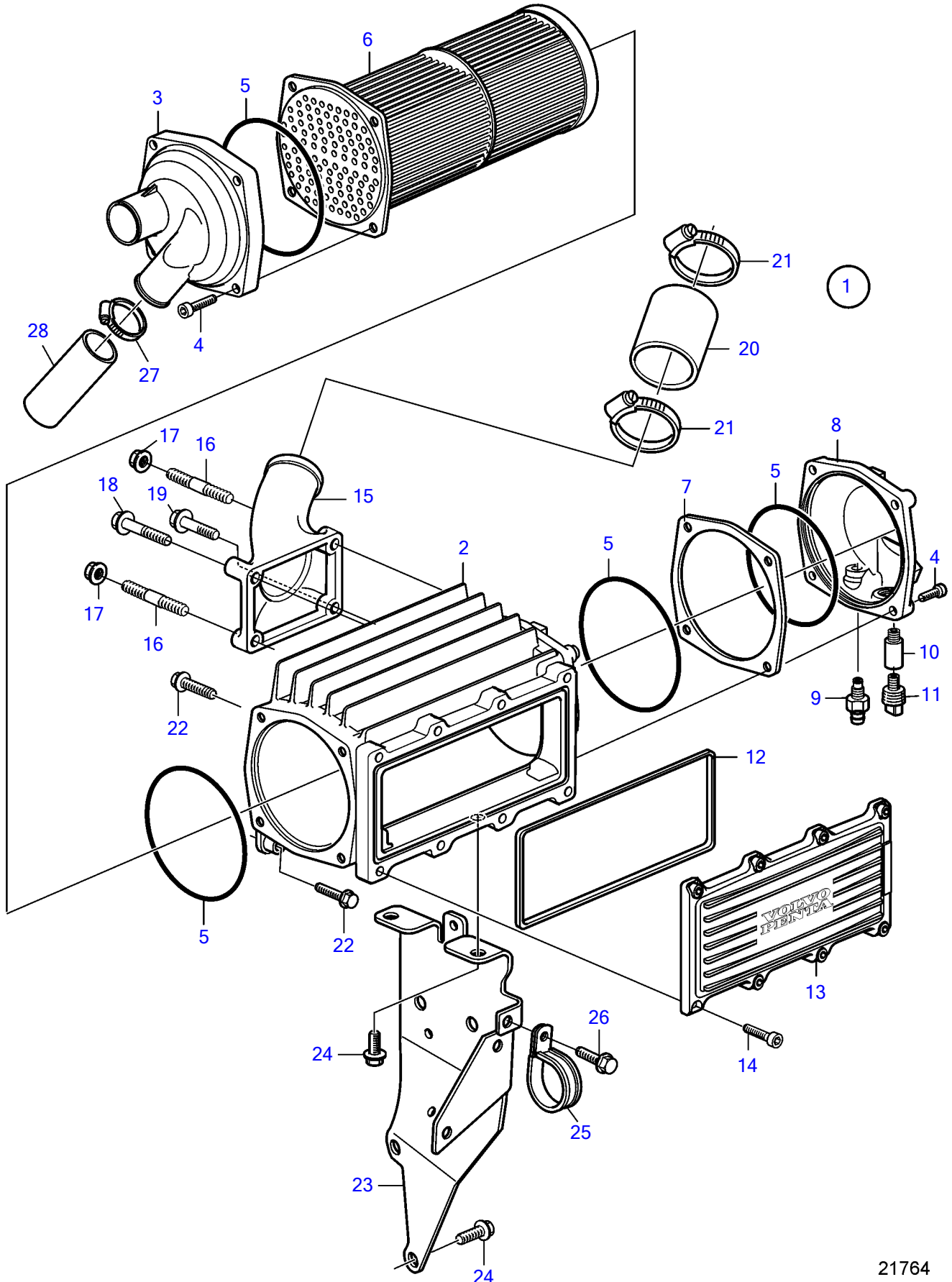


D4-300A-A, D4-300D-A, D4-300I-A



D4-300A-A, D4-300D-A, D4-300I-A

REF	PART NO.	QTY	DESCRIPTION	NOTES
1	3885354	1	Intercooler	
2		1	• Housing	
3	3583628	1	• Cardboard tube	
4	3838337	8	• Screw	
5	3838406	4	• O-ring	
6	3808746	1	• Insert	
7	3838407	1	• Spacer	
8	3583629	1	• Cardboard tube	
9	3583822	1	• Draining nipple	
10	838929	1	• Anode	
11	838928	1	• Plug	
12	3583634	1	• Gasket	
13	3583633	1	• Cardboard tube	
14	3583635	8	• Screw	
15	3582786	1	Connection pipe	
16	953049	2	Stud	
17	945408	2	Flange nut	
18	965216	1	Flange screw	
19	947760	1	Flange screw	
20	865747	1	Hose	
21	994565	2	Hose clamp	
22	973924	4	Flange screw	
23	3812944	1	Bracket	
24	946173	4	Flange screw	
25	984474	2	Clamp	
26	946440	2	Flange screw	
27	943478	2	Hose clamp	
28	943370	1	Rubber hose	L=50mm

7746200-26-21933

21764

Upd:2012-02-23

D4-180I-B, D4-180I-C, D4-180I-D, D4-180I-E, D4-210A-A, D4-210A-B, D4-210I-A, D4-210I-B, D4-225A-B, D4-225A-C, D4-225A-D, D4-225I

**VOLVO**  
**PENTA**