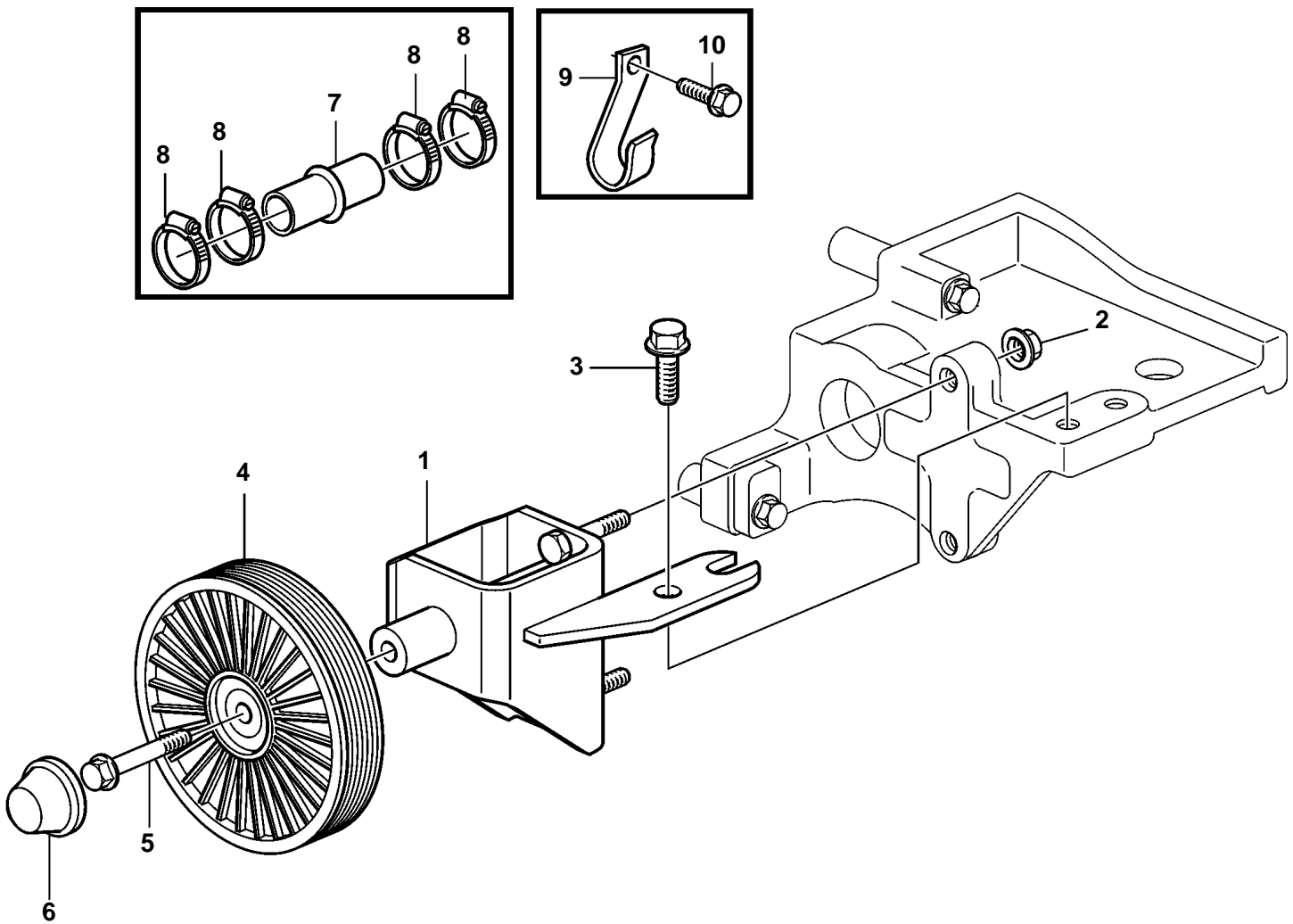


D3-110i-A, D3-130i-A, D3-160i-A, D3-130A-A, D3-160A-A, D3-110i-B, D3-130i-B, D3-160i-B, D3-190i-B, D3-130A-B, D3-160A-B, D3-190A-B



22865

D3-110i-A, D3-130i-A, D3-160i-A, D3-130A-A, D3-160A-A, D3-110i-B, D3-130i-B, D3-160i-B, D3-190i-B, D3-130A-B, D3-160A-B, D3-190A-B

REF	PART NO.	QTY	DESCRIPTION	NOTES
1	3807434	1	Adapter	
2	945408	2	Flange nut	
3	945444	1	Flange screw	M8x25mm
4	9458470	1	Pulley	
5	965188	1	Screw	M10x70mm
6	9125572	1	Cover	
7	861090	1	Tube	
8	961669	4	Hose clamp	
9	3580798	1	Clamp	
10	944926	1	Flange screw	