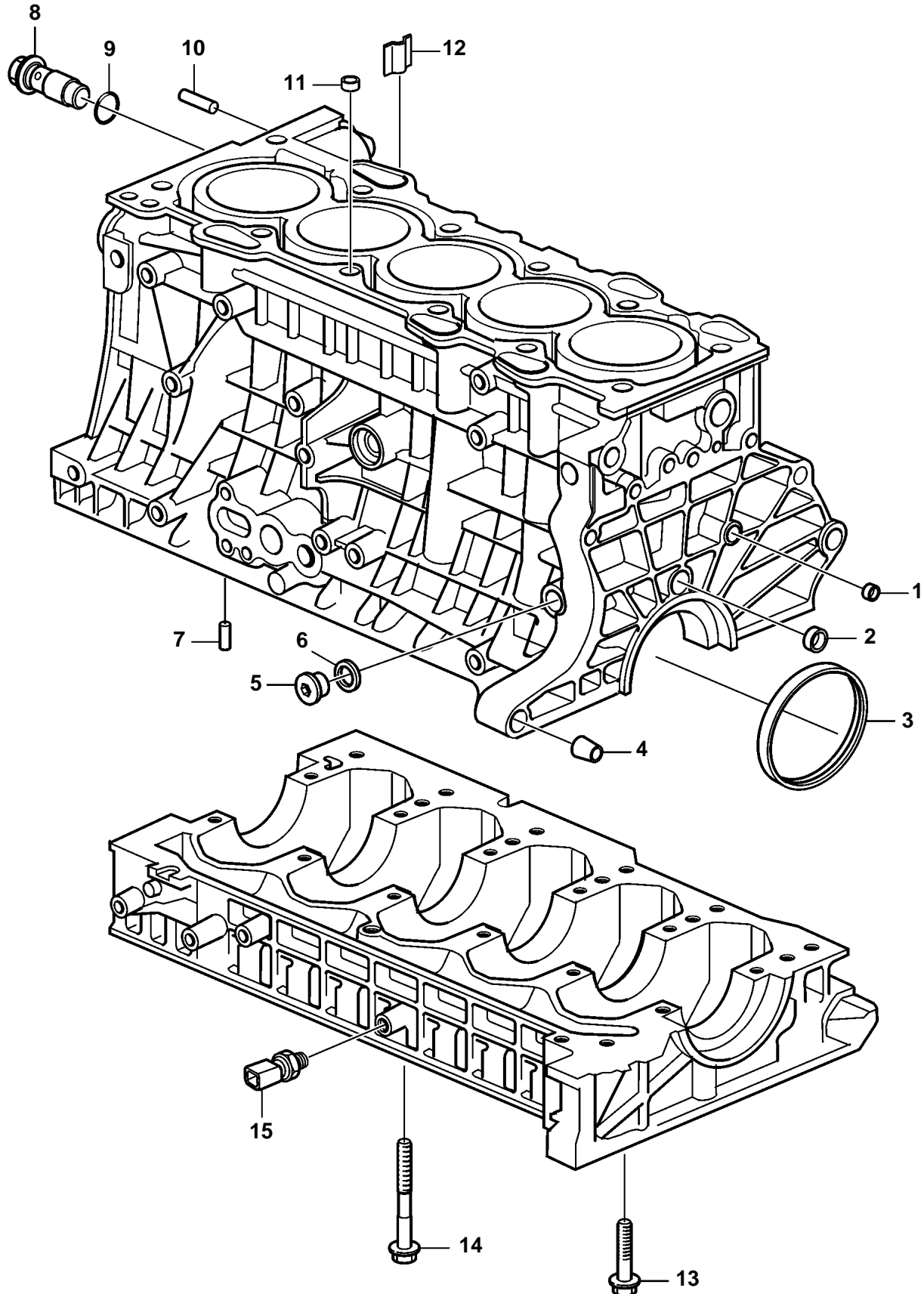


D3-110i-B, D3-130i-B, D3-160i-B, D3-190i-B, D3-130A-B, D3-160A-B, D3-190A-B



D3-110i-B, D3-130i-B, D3-160i-B, D3-190i-B, D3-130A-B, D3-160A-B, D3-190A-B

REF	PART NO.	QTY	DESCRIPTION
1	981713	1	Plug
2	9687868	1	Plug
3	9458178	1	Sealing ring
4	1256394	2	Guide sleeve
5	30713237	1	Plug
6	11996	1	Gasket
7	1383730	5	Locating pin
8	30677893	1	Overflow valve
9	11998	1	Gasket
10	950542	2	Pin
11	1366129	2	Guide sleeve
12	8631501	1	Guide rail
13	973905	5	Flange screw
14	8631499	12	Flange screw
15	3545696	1	Oil pressure sensor