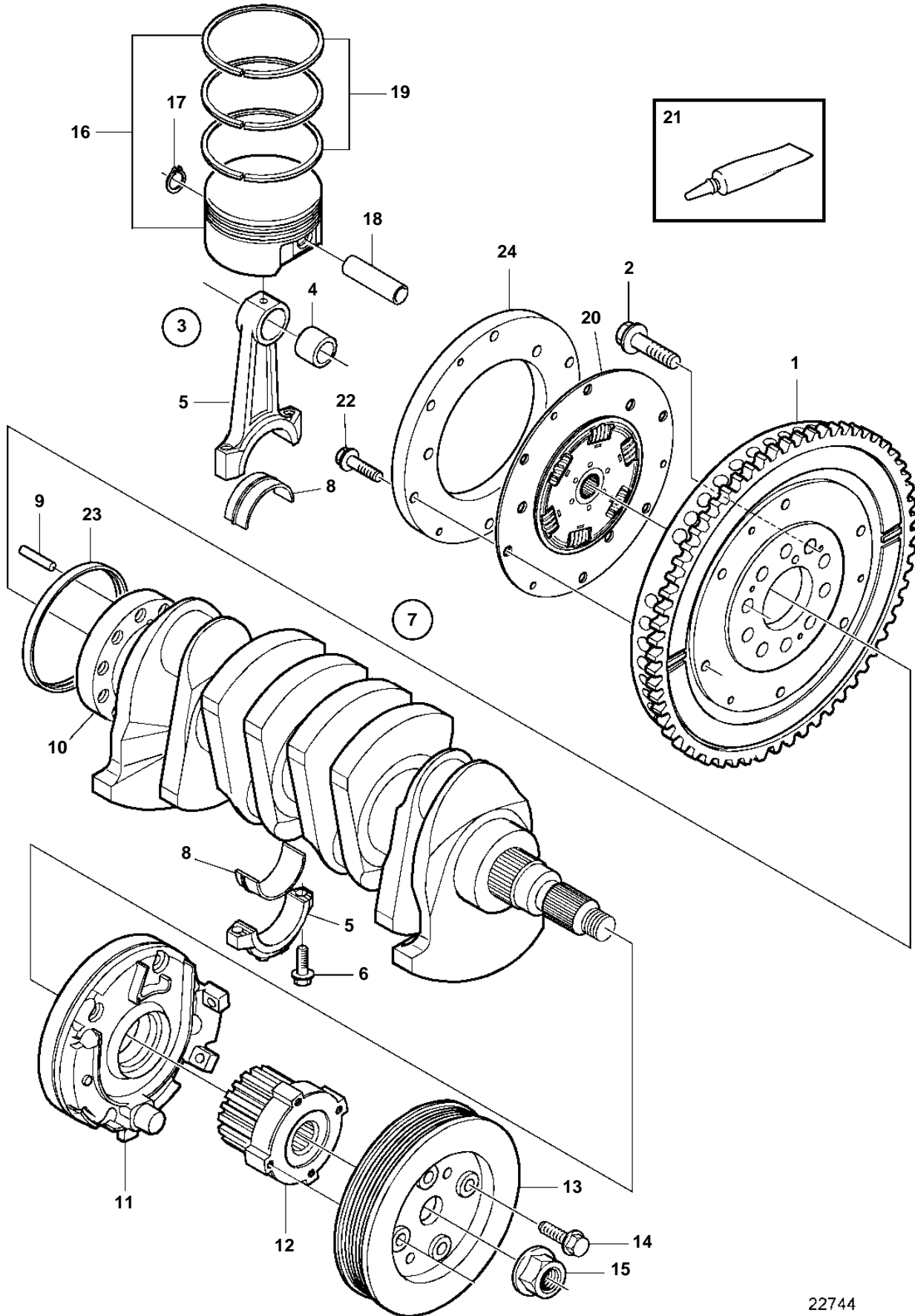


D3-110i-B, D3-130i-B, D3-160i-B, D3-190i-B



22744

D3-110i-B, D3-130i-B, D3-160i-B, D3-190i-B

| REF | PART NO. | QTY | DESCRIPTION | SEE SEC. | NOTES |
|-----|----------|-----|------------------|----------|-------------|
| 1 | 30681145 | 1 | Flywheel | | |
| 2 | 9454743 | 10 | Screw | | |
| 3 | | 5 | Connecting rod | | |
| 4 | | 1 | Bushing | | |
| 5 | | 1 | Connecting rod | | |
| 6 | | 2 | Screw | | |
| 7 | | 1 | Main bearing kit | | |
| 8 | | 5 | Rod bearing | | |
| 9 | | 1 | Spring pin | | |
| 10 | | 1 | Crankshaft | | |
| 11 | | 1 | Oil pump | 9514 | |
| 12 | 1275366 | 1 | Pulley | | |
| 13 | 30637335 | 1 | Vibration damper | | |
| 14 | 3531111 | 1 | Nut | | |
| 15 | 969445 | 4 | Flange screw | | |
| 16 | | 1 | Piston kit | | |
| 17 | | 1 | Lock ring | | |
| 18 | | 1 | Piston pin | | |
| 19 | | 1 | Piston ring kit | | O.D= 0,40mm |
| 20 | 3807988 | 1 | Clutch | | |
| 21 | | 1 | • Grease | | |
| 22 | 948217 | 6 | Flange screw | | |
| 23 | 9458178 | 1 | Sealing ring | | |
| 24 | 3809460 | 1 | Vibration damper | | |