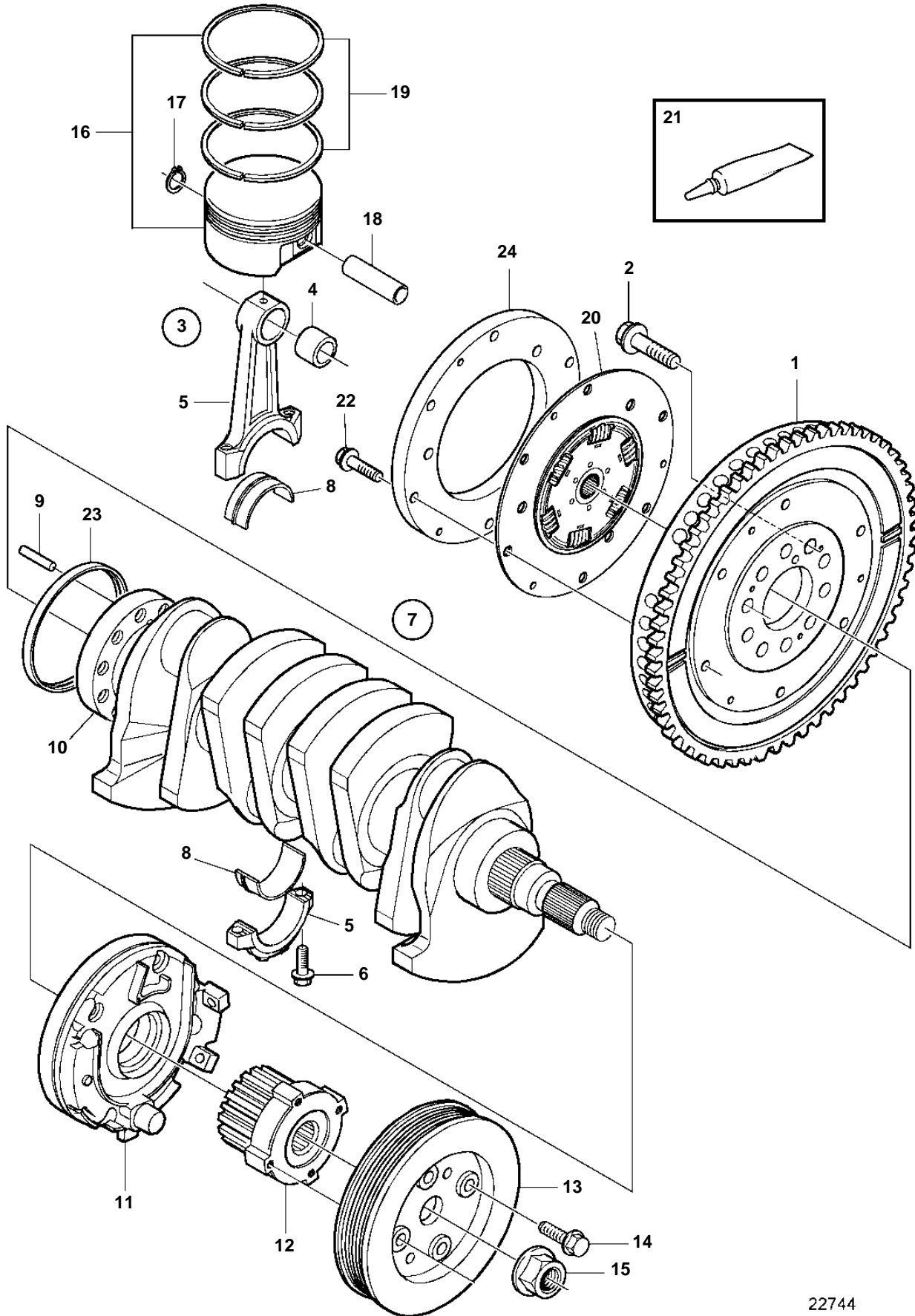


D3-110i-A, D3-130i-A, D3-160i-A



22744

D3-110i-A, D3-130i-A, D3-160i-A

REF	PART NO.	QTY	DESCRIPTION	SEE SEC.	NOTES
1	30681145	1	Flywheel		(8675012)
2	9454743	10	Screw		
3		5	Connecting rod		
4		1	Bushing		
5		1	Connecting rod		
6		2	Screw		
7		1	Main bearing kit		
8		5	Rod bearing		
9		1	Spring pin		
10		1	Crankshaft		
11		1	Oil pump	6342	
12	1275366	1	Pulley		
13	30637335	1	Vibration damper		
14	3531111	1	Nut		
15	969445	4	Flange screw		
16		1	Piston kit		
17		1	Lock ring		
18		1	Piston pin		
19		1	Piston ring kit		O.D= 0,40mm
20	3807988	1	Clutch		
21		1	• Grease		
22	948217	6	Flange screw		
23	9458178	1	Sealing ring		
24	3809460	1	Vibration damper		