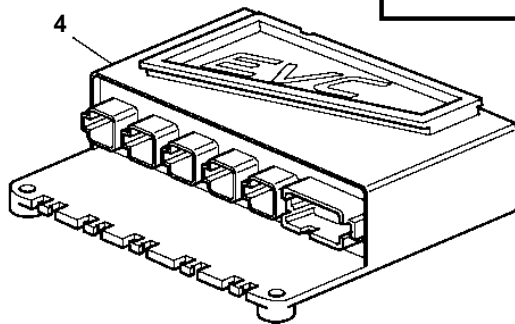
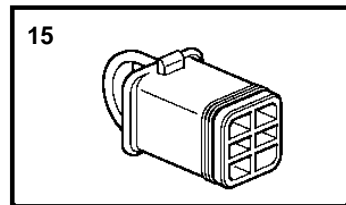
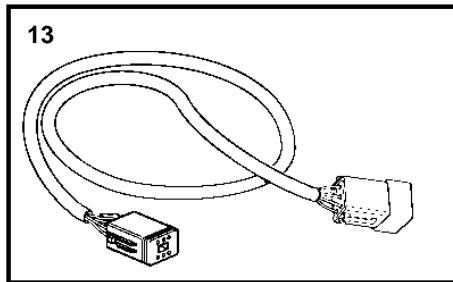
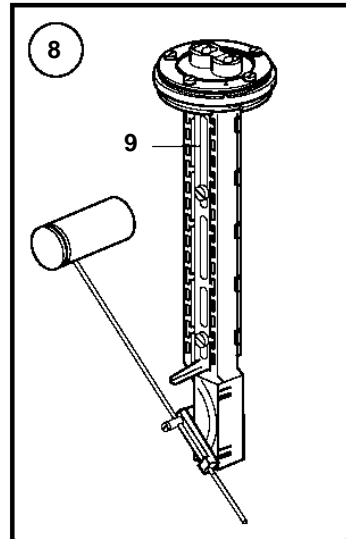
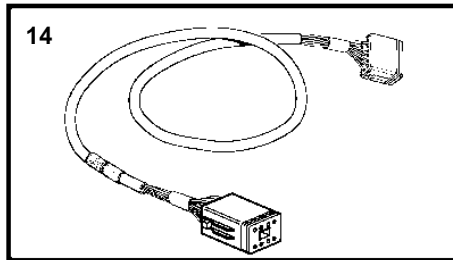
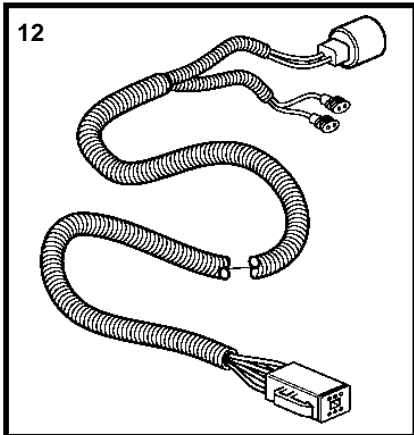
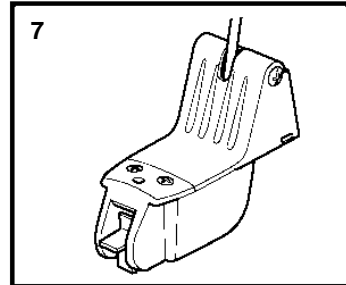
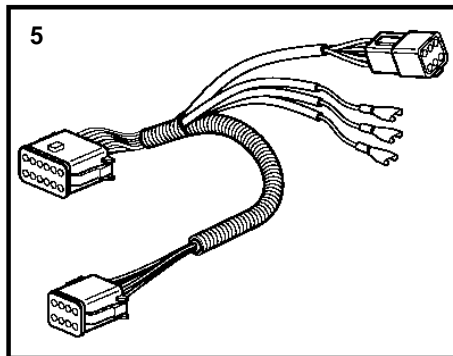
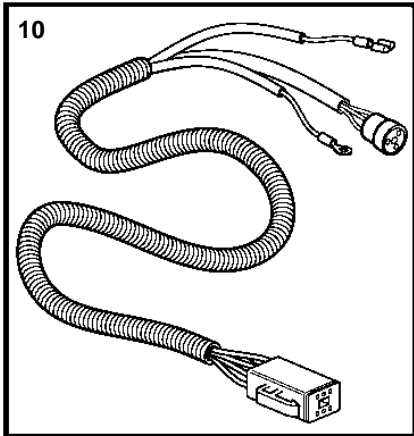
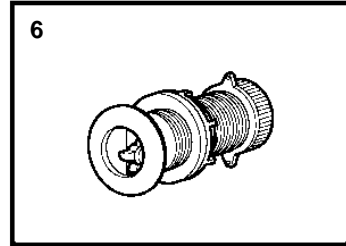
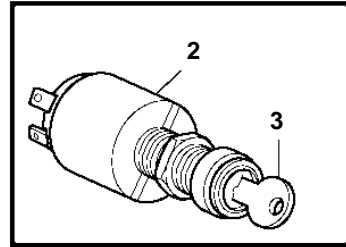
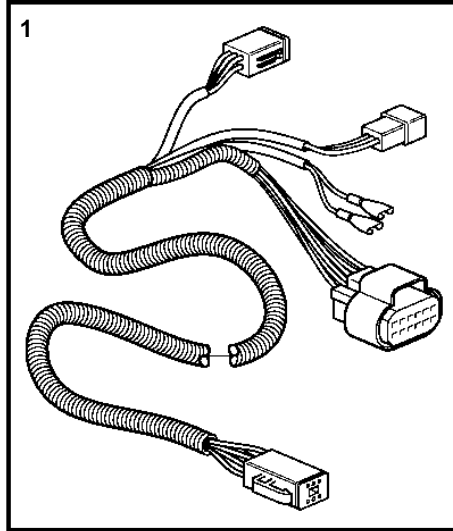
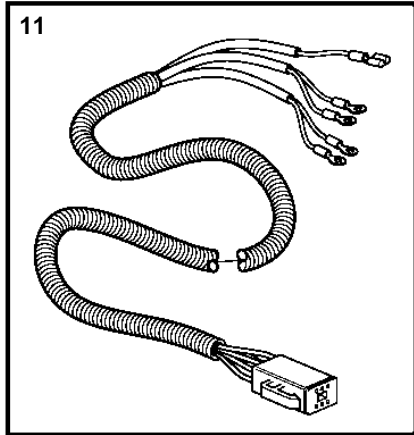


D3-110i-B, D3-130i-B, D3-160i-B, D3-190i-B, D3-130A-B, D3-160A-B, D3-190A-B



22917

D3-110i-B, D3-130i-B, D3-160i-B, D3-190i-B, D3-130A-B, D3-160A-B, D3-190A-B

REF	PART NO.	QTY	DESCRIPTION	SEE SEC.	NOTES
1	881801	1	Cable harness		L=2,0m. Included in EVC cabel kit 3587052.
2	856659	1	Starter switch		
			Bulletin 42-35	42-35-EN	Ignition Switch (P/N 856659-8)
3		1	· Key		State key code when ordering.
4	3843408	1	Control unit, hiu		HIU for reverse gear
	3843409	1	Control unit, hiu		HIU for SX drive
5	3807226	1	Cable harness		ECU to Engine
6	3587054	1	Sender		
7	3587055	1	Sender		
8	874840	1	Sender		
9	873772	1	· Tank sensor		
10	3807228	1	Cable harness		L=0,5m. For Trim instrument and Instrument light
11	3807229	1	Cable harness		L=5,0m. For fuel level sender
12	881804	1	Cable harness		L=5,0m. For trim pump and trim sender. Included in EVC cabel kit 3587052.
13	3842733	1	Extension cable\verl		L=3,0m
	3842734	1	Extension cable\verl		L=5,0m
	3842735	1	Extension cable\verl		L=7,0m
	3842736	1	Extension cable\verl		L=9,0m
	3842737	1	Extension cable\verl		L=11,0m
14	888248	1	Cable		L=10.0' (3.0m)
	888249	1	Cable		L=5,0m
	888250	1	Cable		L=23.0' (7.0m)
	888251	1	Cable		L=9,0m
	888253	1	Cable		L=11,00m
15	3840433	1	Plug		Plug for connection in HIU when reverse gear is used.