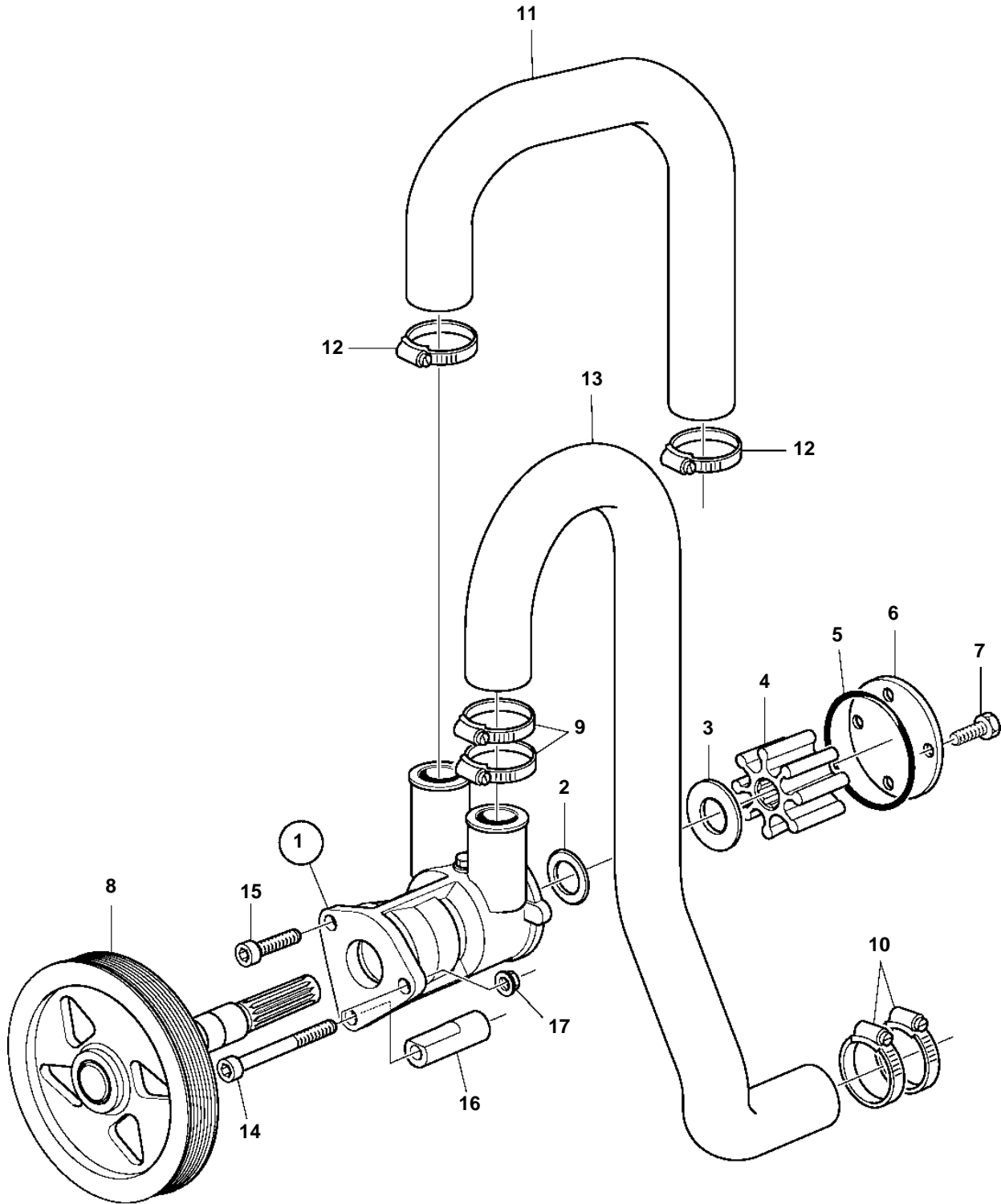


D3-110i-B, D3-130i-B



## D3-110i-B, D3-130i-B

REF	PART NO.	QTY	DESCRIPTION	NOTES
1	3884694	1	Sea water pump	
2	3584349	1	· Sealing ring	Included in Overhaul Kit for Sea Water Pump, 3588915
3	827247	1	· Sealing ring	Included in Overhaul Kit for Sea Water Pump, 3588915
4	3584350	1	· Impeller	Included in Overhaul Kit for Sea Water Pump, 3588915. Included in Impeller Kit 3588914
5	3583809	1	· O-ring	Included in Overhaul Kit for Sea Water Pump, 3588915. Included in Impeller Kit 3588914
6	3584353	1	· Cover	Included in Overhaul Kit for Sea Water Pump, 3588915
7	3584352	4	· Screw	Included in Overhaul Kit for Sea Water Pump, 3588915
8		1	· Pulley	
9	961669	2	Hose clamp	
10	961670	2	Hose clamp	
11	3584355	1	Hose, heat exchanger	
12	943477	2	Hose clamp	
13	3584356	1	Hose	
14	959227	2	Screw	
15	959222	1	Screw	
16	3884647	1	Spacer	
17	945408	1	Flange nut	