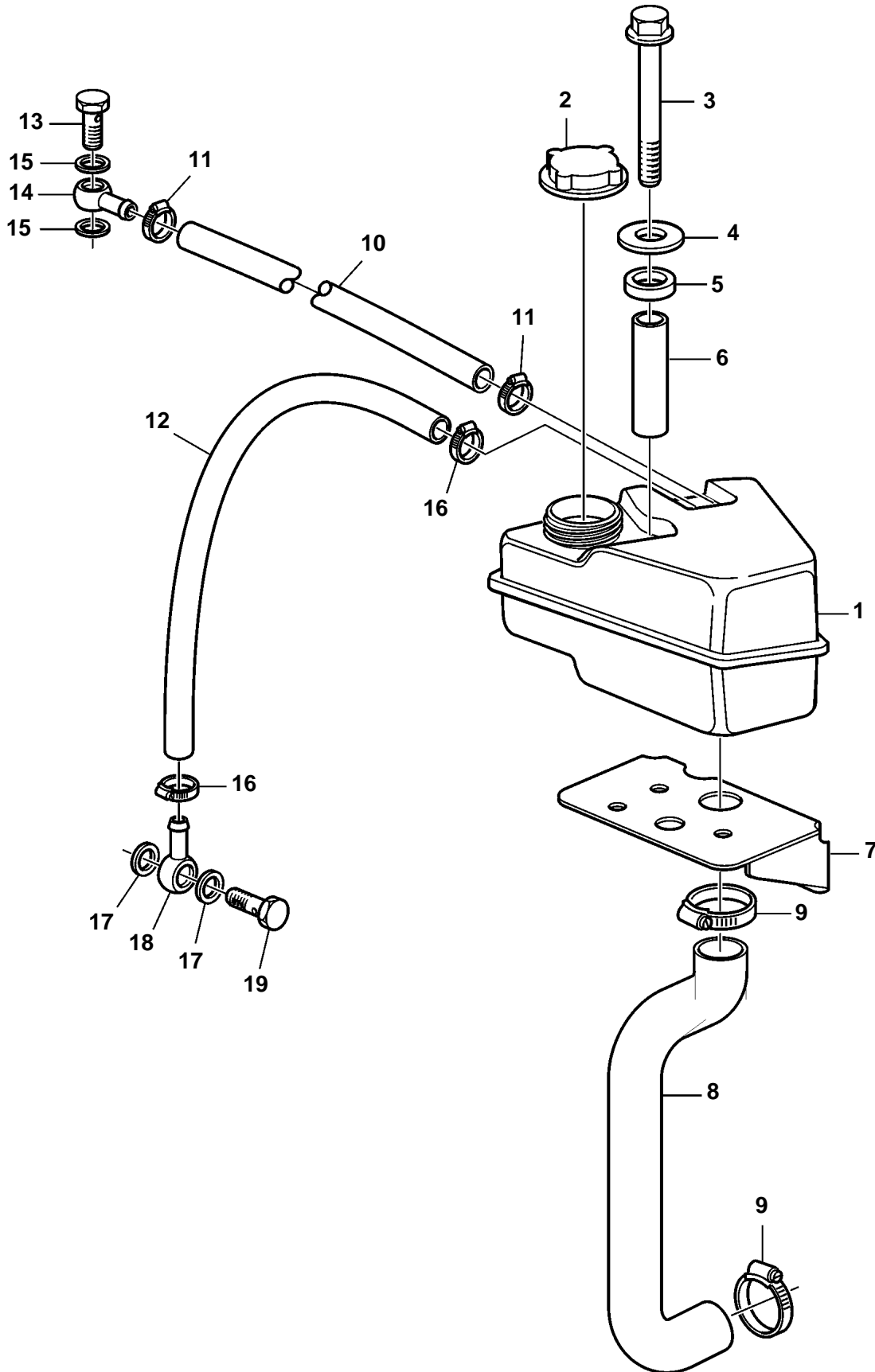


D3-110i-B, D3-130i-B, D3-160i-B, D3-190i-B, D3-130A-B, D3-160A-B, D3-190A-B



D3-110i-B, D3-130i-B, D3-160i-B, D3-190i-B, D3-130A-B, D3-160A-B, D3-190A-B

REF	PART NO.	QTY	DESCRIPTION	NOTES
1	3580941	1	Expansion tank	
2	9445462	1	Pressure cap	
3	968999	1	Screw	
4	976944	1	Washer	
5	3285120	1	Rubber ring	
6	3581032	1	Spacer sleeve	
7	3584325	1	Bracket	
8	3819125	1	Hose	
9	943474	2	Hose clamp	
10	942700	1	Hose	L=250mm
11	945652	2	Hose clamp	
12	942700	1	Hose	L=330mm
13	969299	1	Hollow screw	
14	858750	1	Banjo nipple	
15	11994	2	Gasket	
16	945652	2	Hose clamp	
17	11994	2	Gasket	
18	858750	1	Banjo nipple	
19	969299	1	Hollow screw	