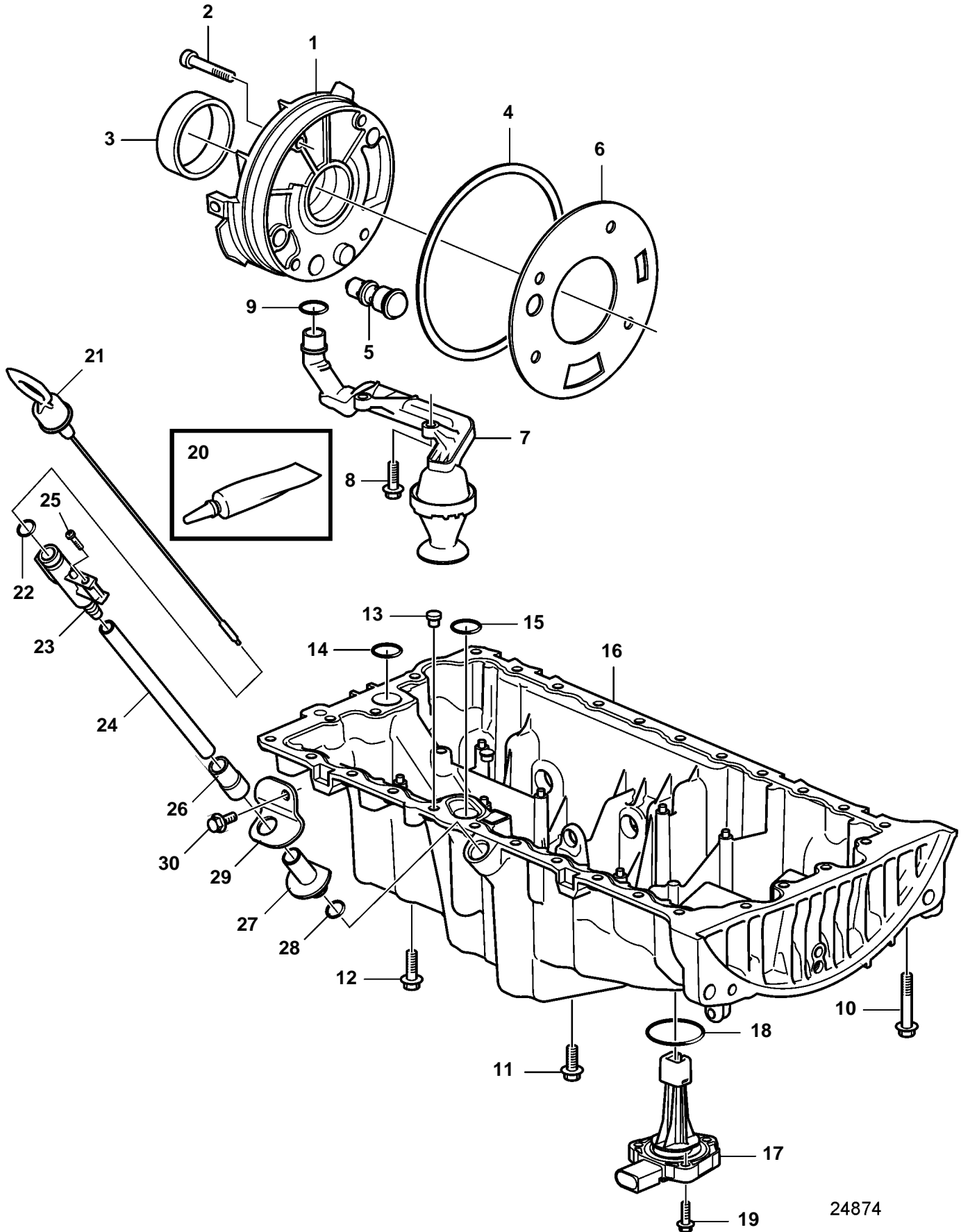


D3-110I-D, D3-140A-D, D3-150I-D, D3-170A-D, D3-170I-D, D3-200A-D, D3-200I-D, D3-220A-D, D3-220I-D



24874

D3-110I-D, D3-140A-D, D3-150I-D, D3-170A-D, D3-170I-D, D3-200A-D, D3-200I-D, D3-220A-D, D3-220I-D

REF	PART NO.	QTY	DESCRIPTION	NOTES
1	30777092	1	Oil pump	
2	987348	4	6 point socket screw	
3	6842273	1	Sealing ring	
4	981204	1	O-ring	
5	30750943	1	Piston cooling valve	
6	1275404	1	Gasket	
7	30777148	1	Suction line	
8	968158	2	Flange screw	
9	30637867	1	Sealing ring	
10	980092	4	Flange screw	M7x100mm
11	975880	22	Flange screw	M7x20mm
12	985322	4	Flange screw	M7x40mm
13	463963	1	Valve	
14	8642560	1	Sealing ring	
15	8631513	1	Sealing ring	
16	31258206	1	Oil sump	
17	31272687	1	Oil level sensor	
18	31219441	1	O-ring	
19	982759	3	Flange screw	M6x25mm
20	1161771	1	Sealing compound	50ml
21	3847530	1	Oil dipstick	
22	944124	1	O-ring	
23	11129411	1	Anchorage	
24	980833	1	Tube	
25	975378	1	6 point socket screw	
26	843533	1	Rubber cushion	
27	21451916	1	Insert nipple	
28	3888462	1	O-ring	
29	3847997	1	Bracket	
30	982775	1	Flange screw	M7x16mm