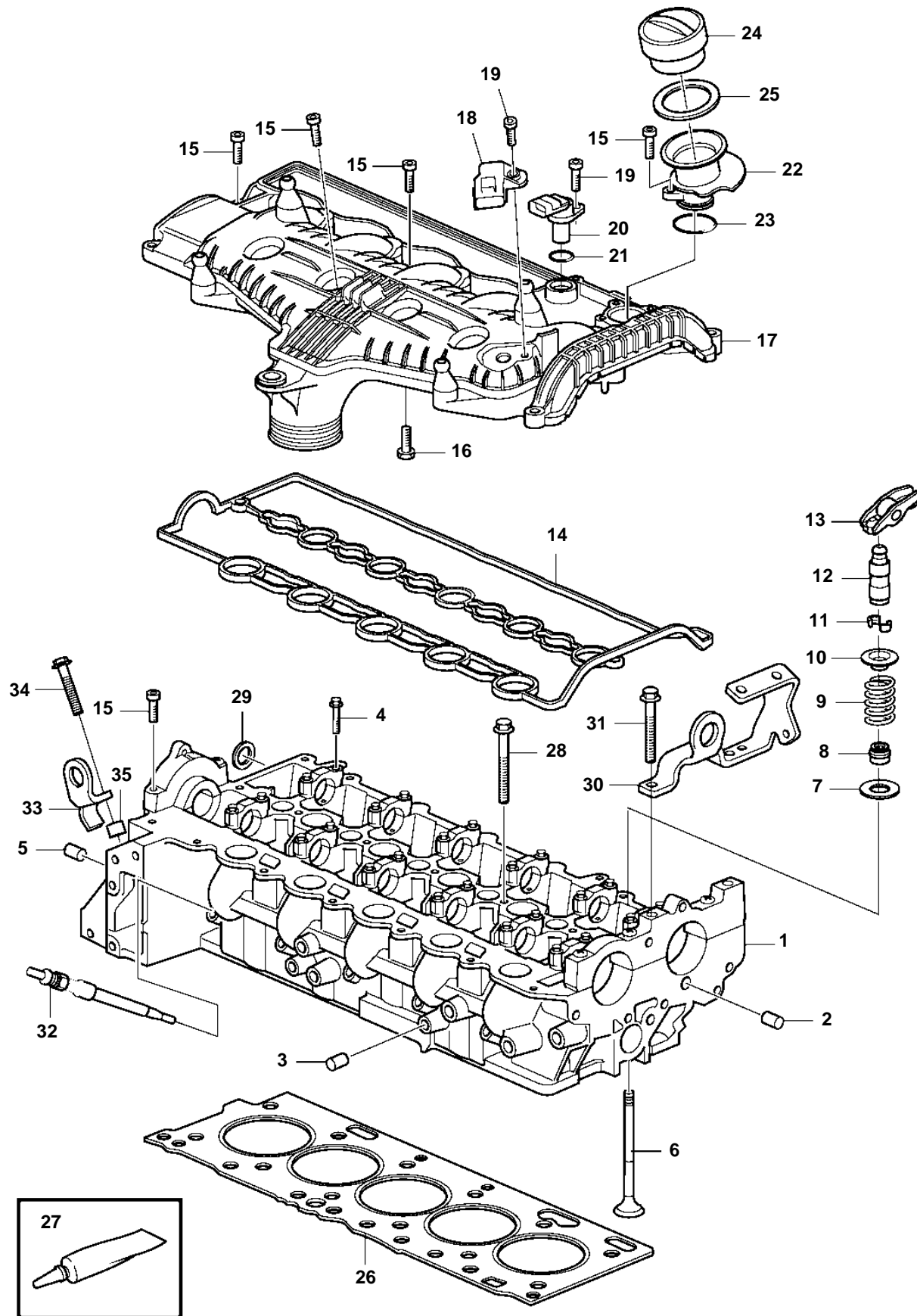


D3-110I-D, D3-140A-D, D3-150I-D, D3-170A-D, D3-170I-D, D3-200A-D, D3-200I-D, D3-220A-D, D3-220I-D



24840

D3-110I-D, D3-140A-D, D3-150I-D, D3-170A-D, D3-170I-D, D3-200A-D, D3-200I-D, D3-220A-D, D3-220I-D

REF	PART NO.	QTY	DESCRIPTION	NOTES
1	3801383	1	Cylinder head, exch	
2	946780	1	· Cap plug	
3	946779	2	· Cap plug	
4	982761	24	· Flange screw	M6x35mm
5	981713	3	· Plug	
6	8631650	10	· Inlet valve	
	8631651	10	· Exhaust valve	
7	8631655	20	· Valve spring washer, lower	
8	8631652	20	· Valve stem seal	
9	31258132	20	· Valve spring	
10	8631654	20	· Valve spring washer, upper	
11	9454613	40	· Valve collet	
12	31251885	20	· Pivot	
13	8670045	20	· Tappet	
14	30713459	1	Gasket	
15	986322	5	6 point socket screw	M7x50mm
16	987349	12	6 point socket screw	
17	31286262	1	Valve cover	
18	31216308	1	Pressure sensor	
19	986072	2	6 point socket screw	M6x25mm
20	8658726	1	Sensor	
21	30756062	1	O-ring	
22	30777537	1	Oil filler pipe	
23	30757159	1	· O-ring	
24	30677517	1	Oil filler cap	
25	30677740	1	· O-ring	
26	30757861	1	Cylinder head gasket	Gasket with 1 hole., Class A
	30757862	1	Cylinder head gasket	Gasket with 2 hole., Class B
	30757863	1	Cylinder head gasket	Gasket with 3 hole., Class C
	30757864	1	Cylinder head gasket	Gasket with 4 hole., Class D
	30757865	1	Cylinder head gasket	Gasket with 5 hole., Class E
27	1161059	X	Sealing compound	
28	30777636	12	Flange screw	M12x197mm
29	8631561	1	Sealing ring	
30		1	Lifting eye	
31	965181	2	Flange screw	M8x70mm
32	8631607	5	Glow plug	12V, SOLAS
33	21146441	1	Lifting eye	
34	965193	1	Flange screw	M12x50mm
35	973528	1	Spacer sleeve	