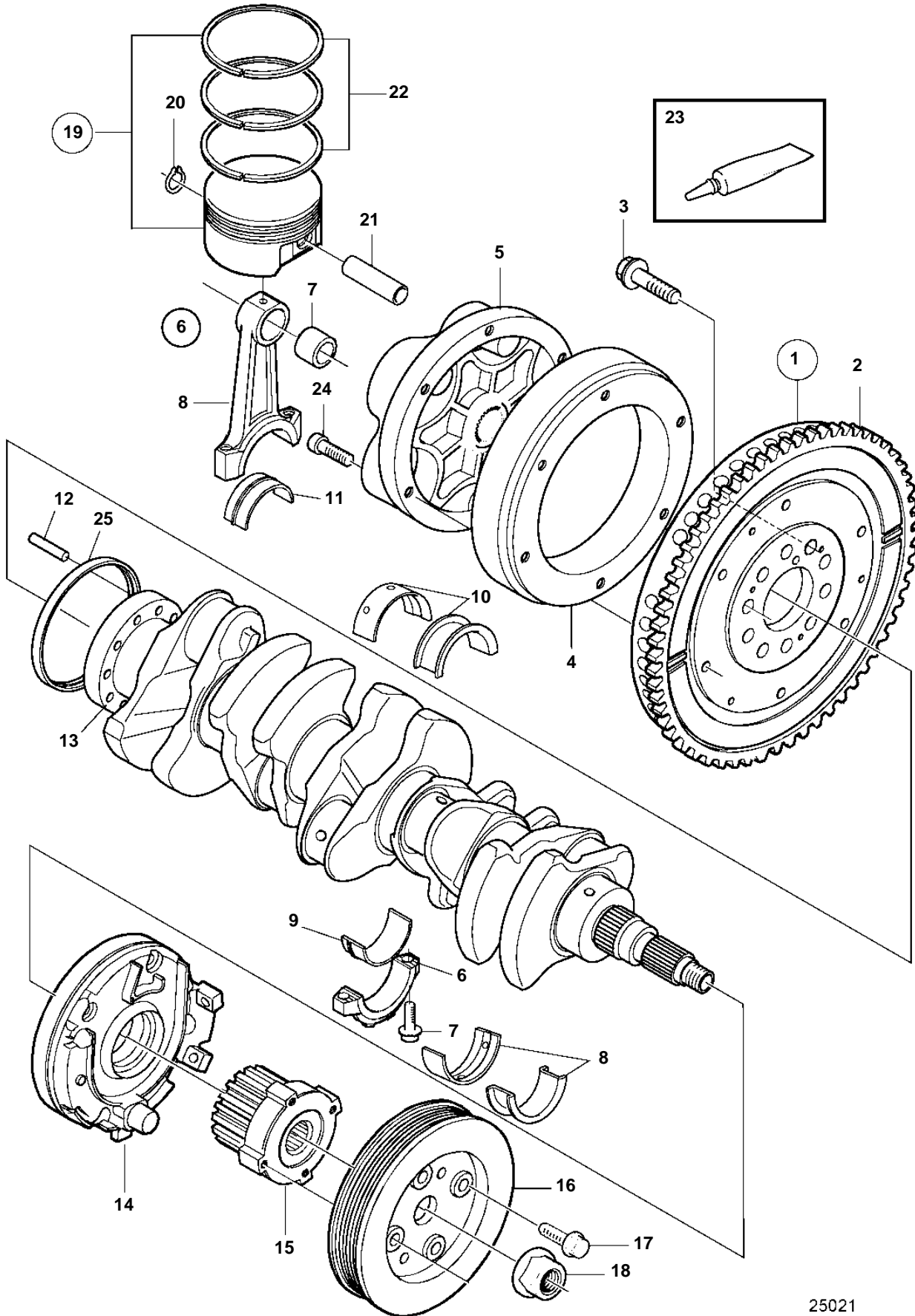


D3-110I-D, D3-150I-D, D3-170I-D, D3-200I-D, D3-220I-D



25021

D3-110I-D, D3-150I-D, D3-170I-D, D3-200I-D, D3-220I-D

REF	PART NO.	QTY	DESCRIPTION	SEE SEC.	NOTES
1	21317215	1	Flywheel		
2	3818641		· Gear ring		
3	9454743	10	Screw		
4	21429352	1	Adapter ring		
5	21416069	1	Flexible coupling		
6	8631505	5	Connecting rod		
7		1	· Bushing		
8		1	· Connecting rod		
9	9497858	2	· Screw		
10	31251378	5	Main bearing		Without flange, red
	31251379	5	Main bearing		Without flange, yellow
	31251380	5	Main bearing		Without flange, blue
	31251381	5	Main bearing		Without flange green
	31251597	1	Main bearing		With flange, red
	31251598	1	Main bearing		With flange, yellow
	31251599	1	Main bearing		With flange, blue
11	31251996	1	Big-end bearing kit		
12	973660	1	Spring pin		
13	9465781	1	Crankshaft		
14		1	Oil pump		
				35762	
15	1275366	1	Pulley		
16	30731865	1	Vibration damper		
17					M10x30mm
				35650	
18	3531111	1	Nut		
19	31251737	1	Piston kit		Class C
	31251738	1	Piston kit		Class D
	31251739	1	Piston kit		Class E
20	30777225	1	· Lock ring		
21		1	· Piston pin		
22	30750678	1	Piston ring kit		
23	598034	1	Grease		
24	959230	6	Hex. socket screw		
25	9458178	1	Sealing ring		