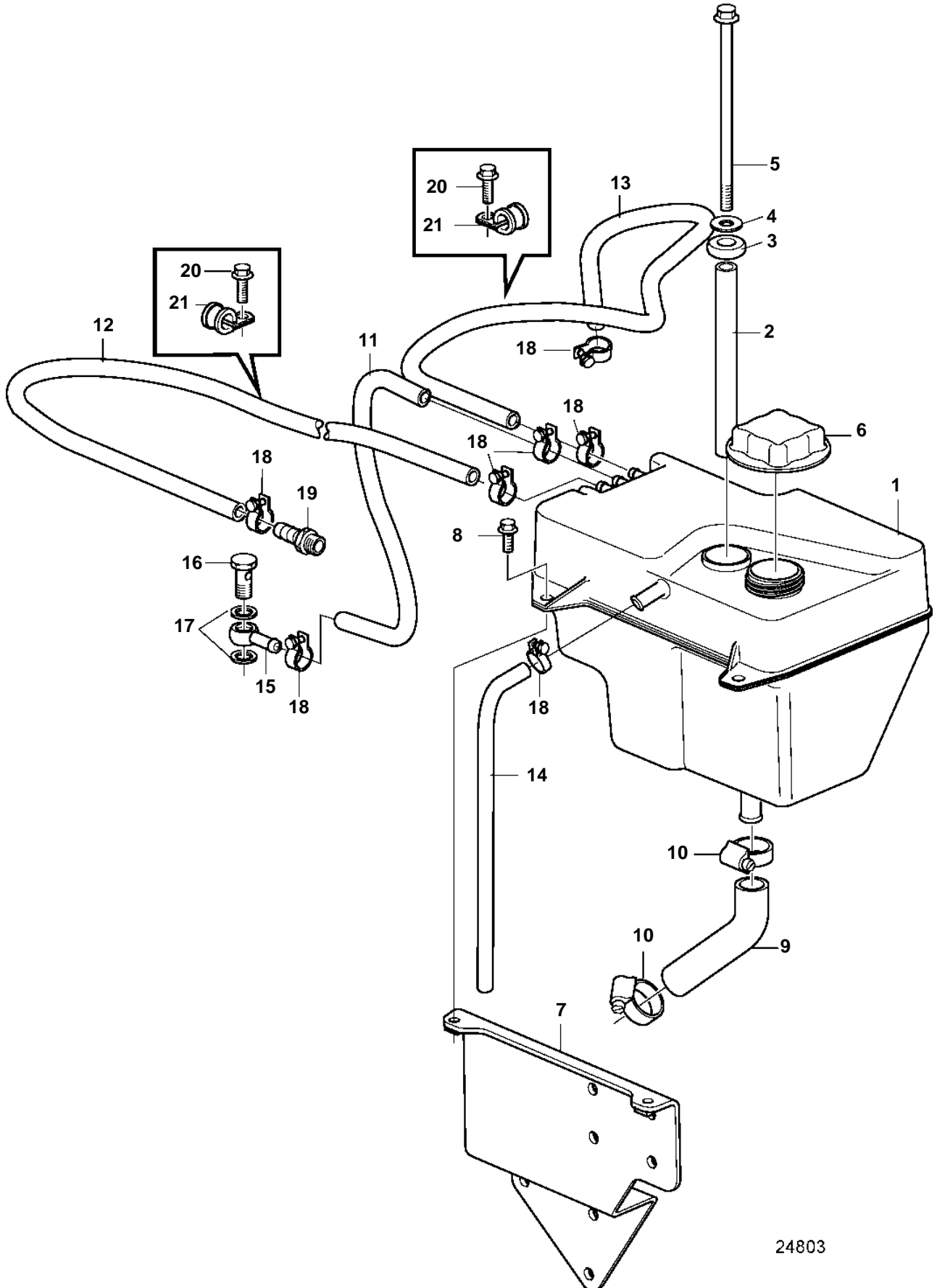


D3-110I-D, D3-140A-D, D3-150I-D, D3-170A-D, D3-170I-D, D3-200A-D, D3-200I-D, D3-220A-D, D3-220I-D



24803

D3-110I-D, D3-140A-D, D3-150I-D, D3-170A-D, D3-170I-D, D3-200A-D, D3-200I-D, D3-220A-D, D3-220I-D

REF	PART NO.	QTY	DESCRIPTION	NOTES
1	21461610	1	Expansion tank	
2	993301	1	Spacer sleeve	
3	3285120	1	Grommet	
4	976944	1	Washer	
5	968893	1	Flange screw	M8x150mm
6	9445462	1	Filler cap	
7	21142689	1	Bracket	
8	946173	4	Flange screw	M8x20mm
9	21162074	1	Hose	Coolant hose.
10	943472	2	Hose clamp	
11	942700	X	Hose	L=250mm
12	942700	X	Hose	L=730mm
13	942700	X	Hose	L=730mm
14				
15	858750	1	Banjo nipple	
16	969299	1	Hollow screw	
17	11994	2	Gasket	
18	945652	6	Hose clamp	
19	21332988	1	Hose nipple	
20	946501	2	Flange screw	M6x12mm
21	952627	2	Clamp	