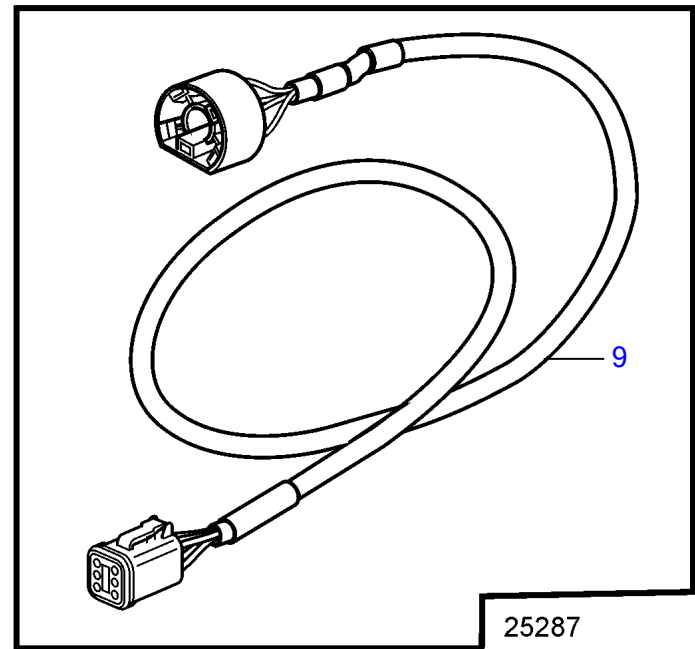
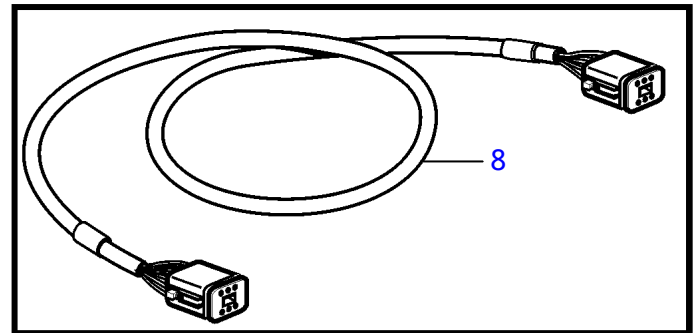
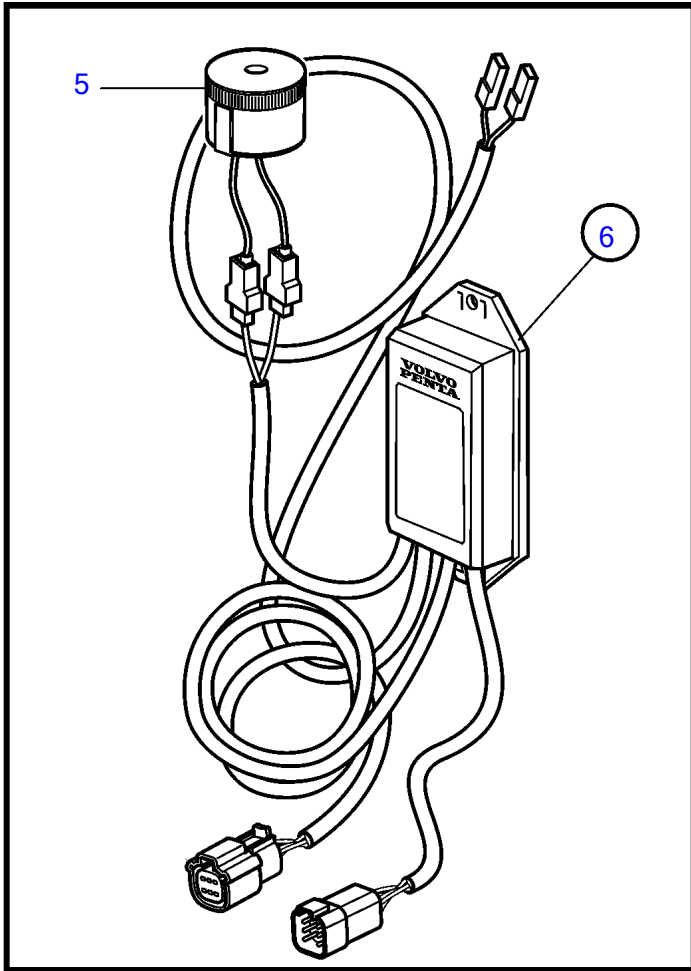
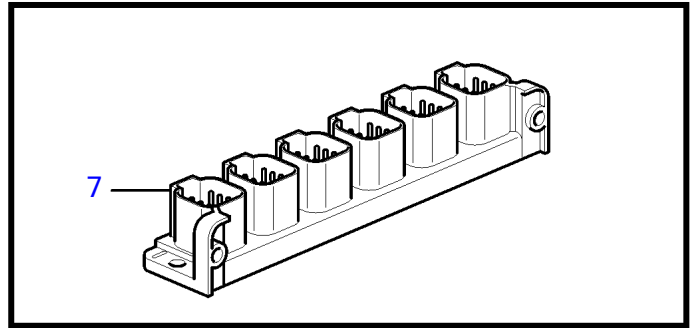
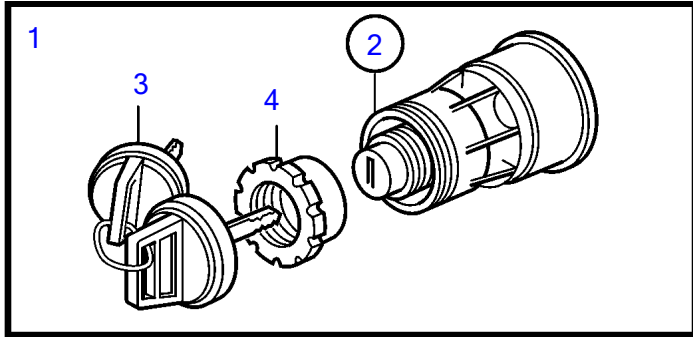


D3-110I-D, D3-110I-E, D3-110I-F, D3-140I-E, D3-140I-F, D3-140A-D, D3-140A-E, D3-140A-F, D3-150I-D, D3-150I-E, D3-150I-F, D3-170I-D, D3-170I-E, D3-170I-F, D3-170A-D, D3-170A-E, D3-170A-F, D3-200I-E, D3-200I-F, D3-200A-D, D3-200A-E, D3-200A-F, D3-220I-D, D3-220I-E, D3-220I-F, D3-220A-D, D3-220A-E



25287

D3-110I-D, D3-110I-E, D3-110I-F, D3-140I-E, D3-140I-F, D3-140A-D, D3-140A-E, D3-140A-F, D3-150I-D, D3-150I-E, D3-150I-F, D3-170I-D, D3-170I-E, D3-170I-F, D3-170A-D, D3-170A-E, D3-170A-F, D3-200I-E, D3-200I-F, D3-200A-D, D3-200A-E, D3-200A-F, D3-220I-D, D3-220I-E, D3-220I-F, D3-220A-D, D3-220A-E

REF	PART NO.	QTY	DESCRIPTION	SEE SEC.	NOTES
1	3587070	1	Starter switch		Kit with 2 key switch with identical key.
2	3587071	1	• Starter switch		
3	859955	1	• • Plastic nut		
4	859953	2	• • Key		State key code when oredering.
			• Bulletin 49-30	49-30-EN	Key P/N 859953
5	21461496	2	Network adapter		
6	3817974	1	• Alarm		
7	21469055	1	Connection block		
8	3886666	5	Cable		
9	881849	2	Wiring harness		