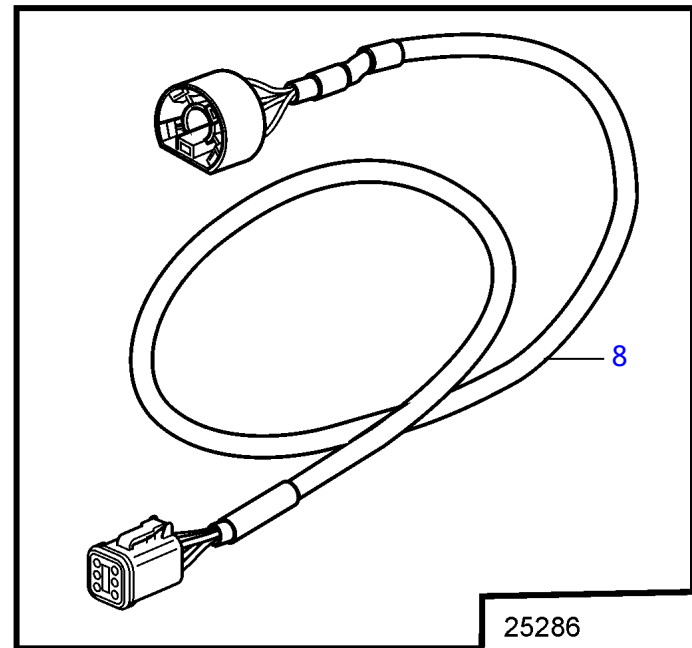
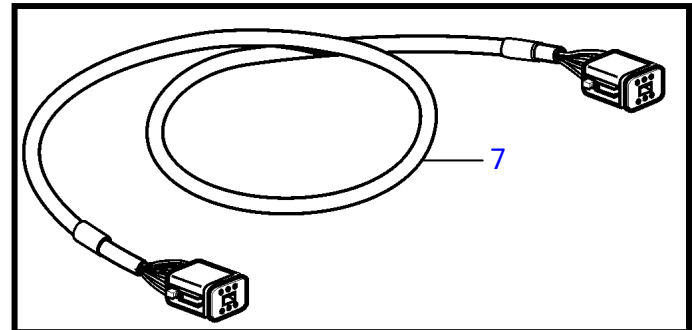
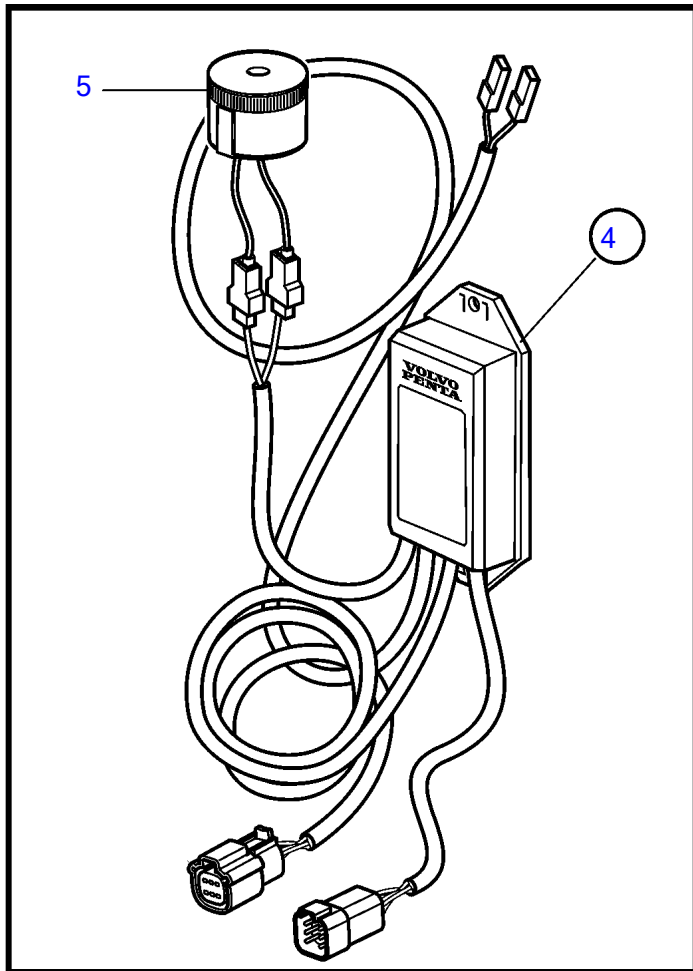
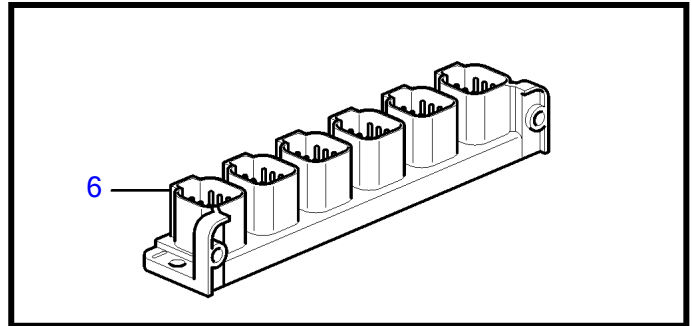
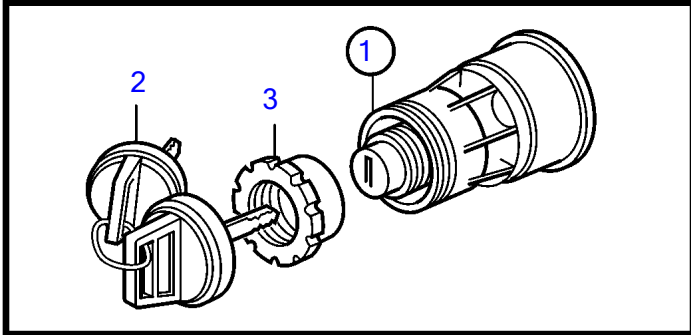


D3-110I-E, D3-110I-F, D3-140I-E, D3-140I-F, D3-140A-E, D3-140A-F, D3-150I-E, D3-150I-F, D3-170I-E, D3-170I-F, D3-170A-E, D3-170A-F, D3-200I-E, D3-200I-F, D3-200A-E, D3-200A-F, D3-220I-E, D3-220I-F, D3-220A-E, D3-220A-F



25286

D3-110I-E, D3-110I-F, D3-140I-E, D3-140I-F, D3-140A-E, D3-140A-F, D3-150I-E, D3-150I-F, D3-170I-E, D3-170I-F, D3-170A-E, D3-170A-F, D3-200I-E, D3-200I-F, D3-200A-E, D3-200A-F, D3-220I-E, D3-220I-F, D3-220A-E, D3-220A-F

REF	PART NO.	QTY	DESCRIPTION	SEE SEC.	NOTES
1	3587071	1	Starter switch		
2	859955	1	• Plastic nut		
3	859953	1	• Key		State key code when ordering.
			• Bulletin 49-30	49-30-EN	Key P/N 859953
4	21461496	1	Network adapter		
5	3817974	1	• Alarm		
6	21469055	1	Connection block		
7	3886666	3	Cable		
8	881849	1	Wiring harness		