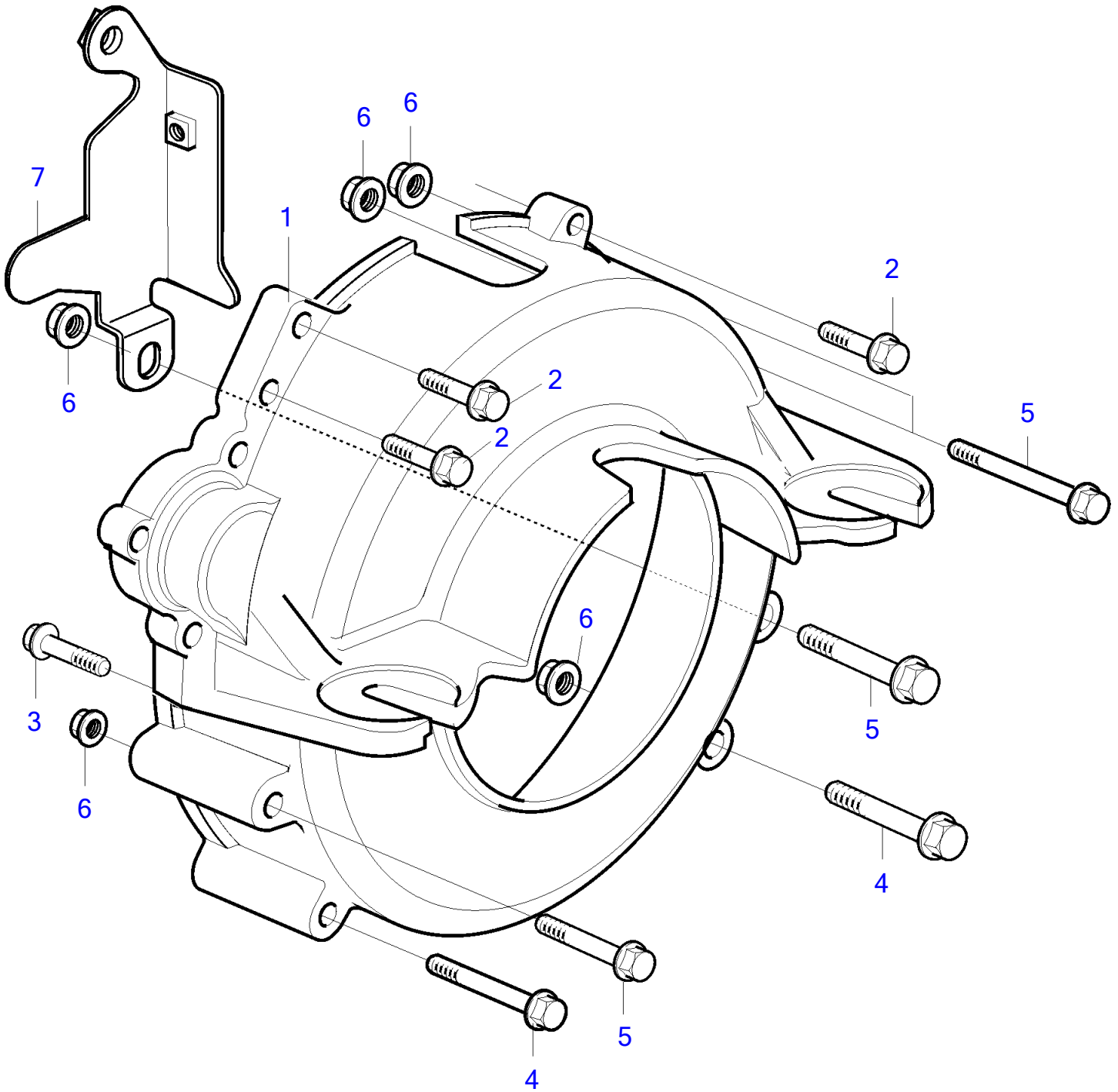


D3-140A-D, D3-140A-E, D3-140A-F, D3-170A-D, D3-170A-E, D3-170A-F, D3-200A-D, D3-200A-E, D3-200A-F, D3-220A-D, D3-220A-E, D3-220A-F



25657

D3-140A-D, D3-140A-E, D3-140A-F, D3-170A-D, D3-170A-E, D3-170A-F, D3-200A-D, D3-200A-E, D3-200A-F, D3-220A-D, D3-220A-E, D3-220A-F

REF	PART NO.	QTY	DESCRIPTION	NOTES
1	3819497	1	Flywheel housing	
2	965185	3	Flange screw	M10x40mm
3	965188	1	Flange screw	M10x70mm
4	965189	2	Flange screw	M10x90mm
5	969313	4	Flange screw	M10x110mm
6	971095	5	Flange nut	M10x10mm
7	40005031	1	Cover	

--	--	--	--	--