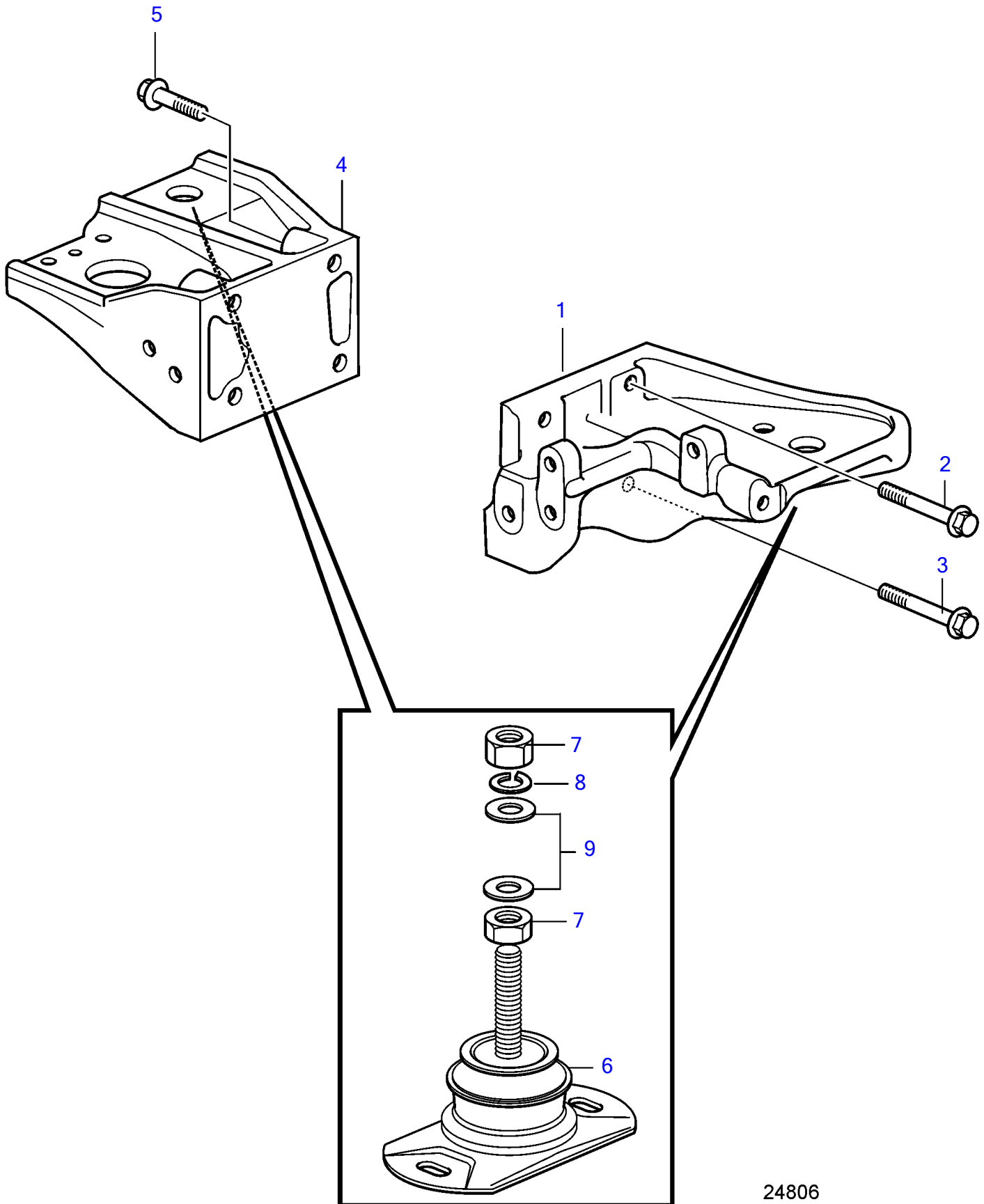


D3-110I-D, D3-110I-E, D3-110I-F, D3-140I-E, D3-140I-F, D3-140A-D, D3-140A-E, D3-140A-F, D3-150I-D, D3-150I-E, D3-150I-F, D3-170I-D, D3-170I-E, D3-170I-F, D3-170A-D, D3-170A-E, D3-170A-F, D3-200I-D, D3-200I-E, D3-200I-F, D3-200A-D, D3-200A-E, D3-200A-F, D3-220I-D, D3-220I-E, D3-220I-F, D3-220A-D, D3-220A-E, D3-220A-F



24806

D3-110I-D, D3-110I-E, D3-110I-F, D3-140I-E, D3-140I-F, D3-140A-D, D3-140A-E, D3-140A-F, D3-150I-D, D3-150I-E, D3-150I-F, D3-170I-D, D3-170I-E, D3-170I-F, D3-170A-D, D3-170A-E, D3-170A-F, D3-200I-D, D3-200I-E, D3-200I-F, D3-200A-D, D3-200A-E, D3-200A-F, D3-220I-D, D3-220I-E, D3-220I-F, D3-220A-D, D3-220A-E, D3-220A-F

REF	PART NO.	QTY	DESCRIPTION	NOTES
1	21132285	1	Engine bracket	Left, Replaced by 21498891
	21498891	1	Engine bracket	Left, SN-A186693
	21750952	1	Engine bracket	Left, SNA186694-
2	984651	2	Flange screw	
3	984662	3	Flange screw	
4	21107717	1	Engine bracket	Right
5	984663	4	Flange screw	
6	21141907	2	Rubber cushion	Replaced by 21670821
	21670821	2	Rubber cushion	
7	955806	4	Hexagon nut	
8	941913	2	Spring washer	
9	955901	4	Washer	