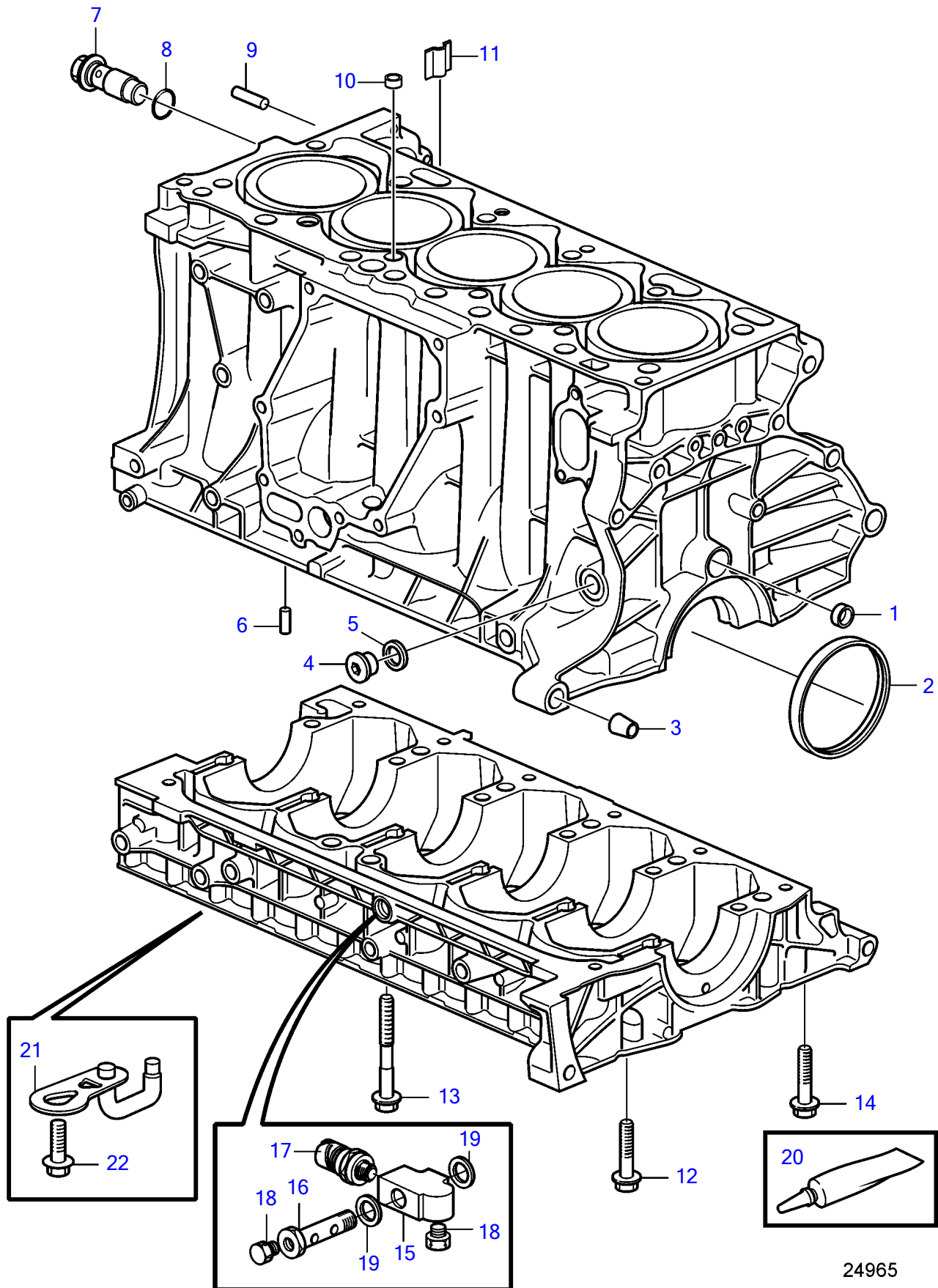


D3-110I-D, D3-110I-E, D3-140I-E, D3-140A-D, D3-140A-E, D3-140A-E, D3-150I-D, D3-150I-E, D3-170I-D, D3-170I-E, D3-170A-D, D3-170A-E, D3-200I-D, D3-200I-E, D3-200A-D, D3-200A-E, D3-220I-D, D3-220I-E, D3-220A-D, D3-220A-E



24965

D3-110I-D, D3-110I-E, D3-140I-E, D3-140A-D, D3-140-A-E, D3-140A-E, D3-150I-D, D3-150I-E, D3-170I-D, D3-170I-E, D3-170A-D, D3-170A-E, D3-200I-D, D3-200I-E, D3-200A-D, D3-200A-E, D3-220I-D, D3-220I-E, D3-220A-D, D3-220A-E

REF	PART NO.	QTY	DESCRIPTION	NOTES
1	8687868	1	Cap plug	
2	9458178	1	Sealing ring	
3	1256394	2	Guide sleeve	
4	30713237	1	Plug	
5	11996	1	Gasket	
6	1383730	5	Locating pin	
7	30750943	1	Piston cooling valve	
8	11998	1	Gasket	
9	950542	2	Pin	
10	1366129	2	Guide sleeve	
11	8631501	1	Guide rail	
12	987736	5	Flange screw	M7x70mm
13	1256343	12	Screw	M10x117mm
14	987962	12	Flange screw	M8x70mm
15	21379273	1	Connection block	
16	21449352	1	Adapter	
17	21302639	1	Pressure sensor	
18	981749	2	Plug	
19	969011	2	Gasket	
20	1161059	X	Sealing compound	
21	30750790	5	Piston cooling jet	
22	975880	5	Flange screw	

7749500-21-35726

24965

Upd:2012-02-20