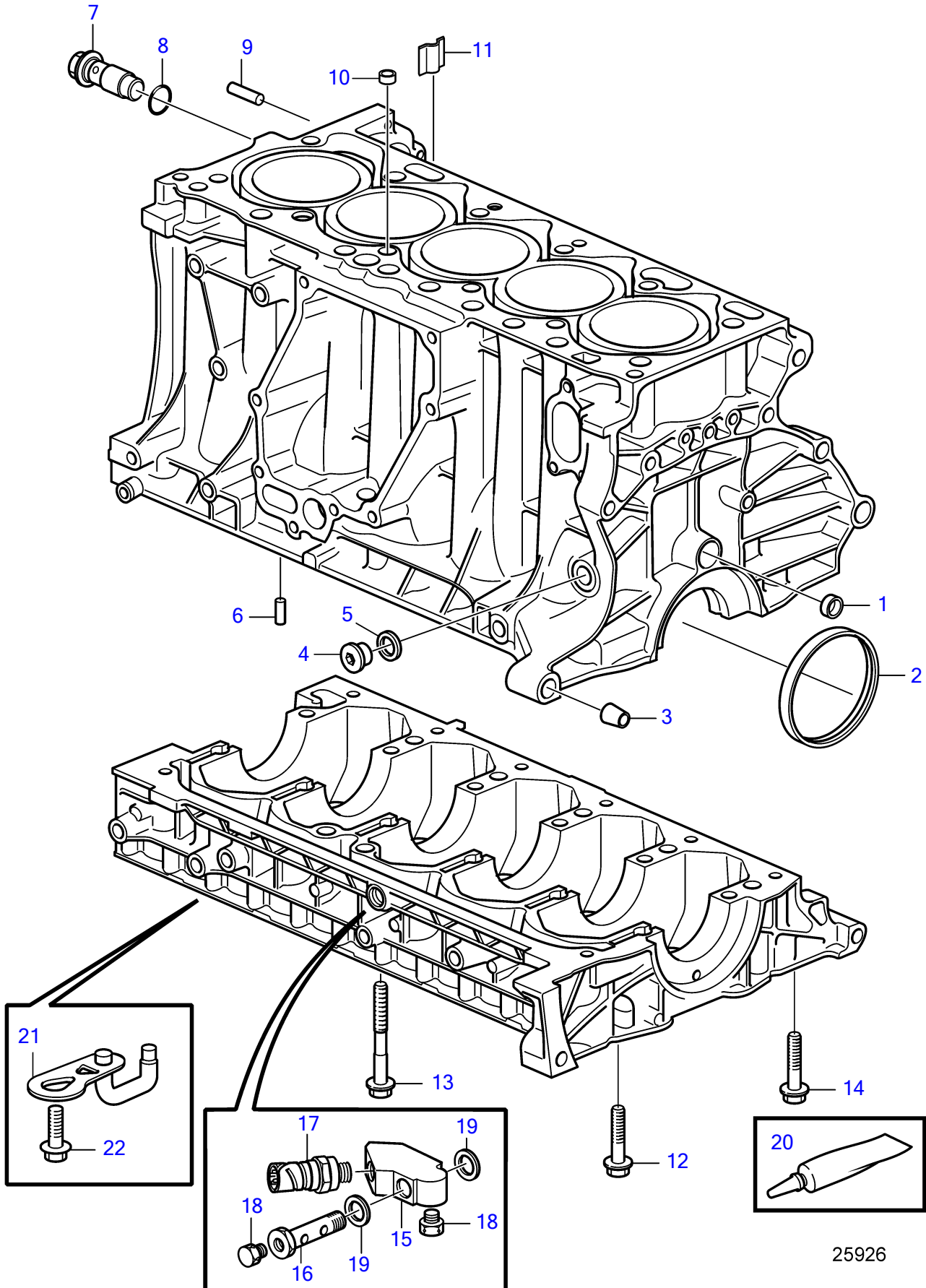


D3-110I-F, D3-140I-F, D3-140A-F, D3-150I-F, D3-170I-F, D3-170A-F, D3-200I-F, D3-200A-F, D3-220I-F, D3-220A-F



25926

D3-110I-F, D3-140I-F, D3-140A-F, D3-150I-F, D3-170I-F, D3-170A-F, D3-200I-F, D3-200A-F, D3-220I-F, D3-220A-F

REF	PART NO.	QTY	DESCRIPTION	NOTES
1	8687868	1	Cap plug	
2	9458178	1	Sealing ring	
3	1256394	2	Guide sleeve	
4	30713237	1	Plug	
5	11996	1	Gasket	
6	1383730	5	Locating pin	
7	30750943	1	Piston cooling valve	
8	11998	1	Gasket	
9	950542	2	Pin	
10	1366129	2	Guide sleeve	
11	8631501	1	Guide rail	
12	987736	5	Flange screw	M7x70mm
13	1256343	12	Screw	M10x117mm
14	987962	12	Flange screw	M8x70mm
15	21636474	1	Connection block	
16	21636477	1	Hollow screw	
17	21302639	1	Pressure sensor	
18	981749	2	Plug	
19	11994	2	Gasket	
20	1161059	X	Sealing compound	
21	30750790	5	Piston cooling jet	
22	975880	5	Flange screw	

7749500-21-36889

25926

Upd:2012-02-20