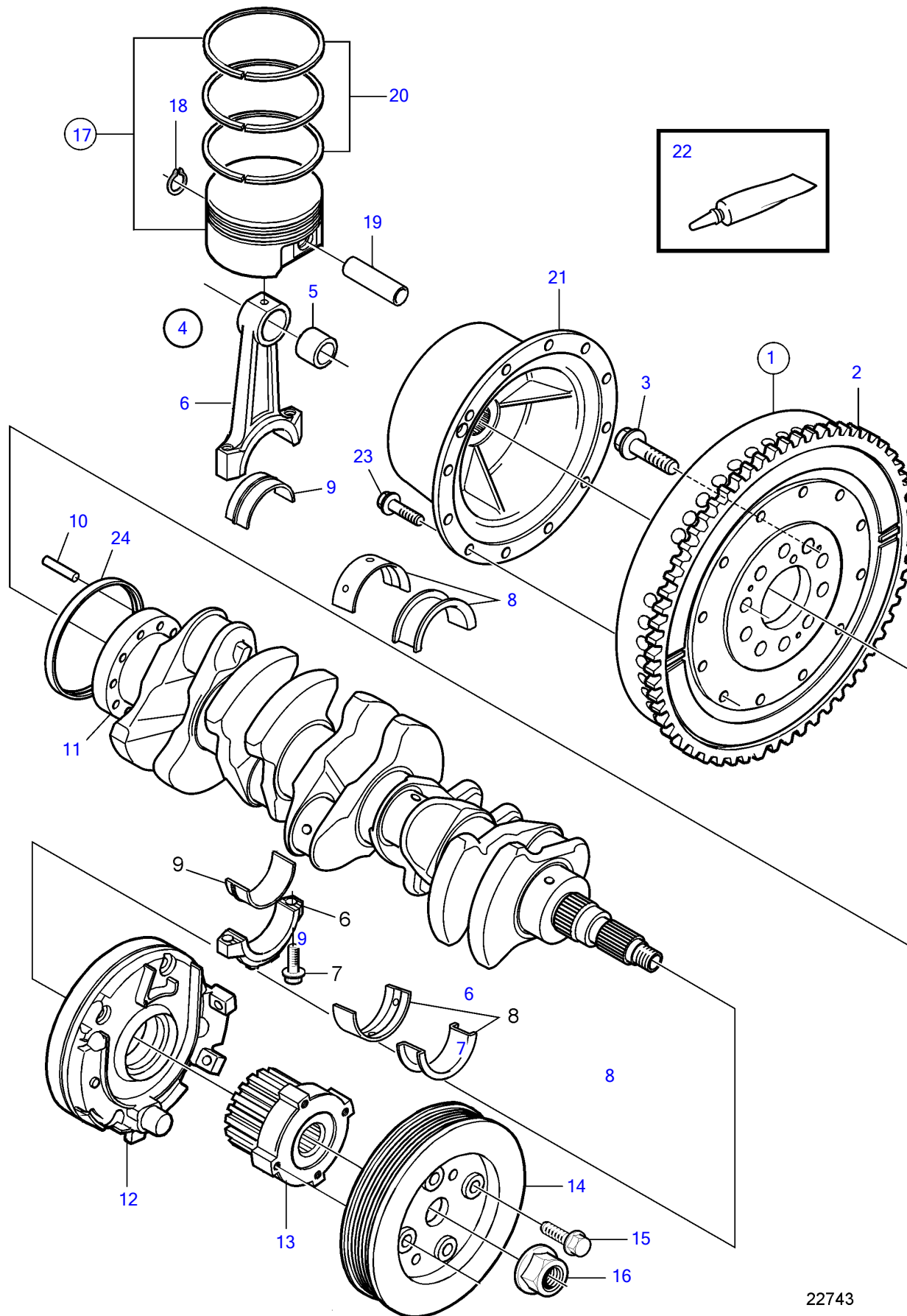


D3-140A-D, D3-140A-E, D3-170A-D, D3-170A-E, D3-200A-D, D3-200A-E, D3-220A-D, D3-220A-E



22743

D3-140A-D, D3-140A-E, D3-170A-D, D3-170A-E, D3-200A-D, D3-200A-E, D3-220A-D, D3-220A-E

REF	PART NO.	QTY	DESCRIPTION	SEE SEC.	NOTES
1	21317215	1	Flywheel		Replaced by 21517500
	21517500	1	Flywheel		
2	3818641	1	• Gear ring		
3	9454743	10	Screw		
4	30777189	5	Connecting rod		SN2003015858-
5		1	• Bushing		
6		1	• Connecting rod		
7	9497858	2	• Screw		
8	31251378	5	Main bearing		Without flange, red, See Workshop Manual
	31251379	5	Main bearing		Without flange, yellow, See Workshop Manual
	31251380	5	Main bearing		Without flange, blue, See Workshop Manual
	31251381	5	Main bearing		Without flange green, See Workshop Manual
	31251597	1	Thrust bearing		With flange, red, See Workshop Manual
	31251598	1	Thrust bearing		With flange, yellow, See Workshop Manual
	31251599	1	Thrust bearing		With flange, blue, See Workshop Manual
9	31251996	1	Big-end bearing kit		
10	973660	1	Spring pin		
11	9465781	1	Crankshaft		
12		1	Oil pump	35762	
13	1275366	1	Pulley		
14	31258122	1	Oscillation damper		
15				35649	M10x30mm
16	3531111	1	Nut		
17	31251737	1	Piston		Class C, SN-2003015855
	31251738	1	Piston		Class D, SN-2003015855
	31251739	1	Piston		Class E, SN-2003015855
	31272195	1	Piston kit		Class C, SN2003015858-
	31272196	1	Piston kit		Class D, SN2003015858-
	31272197	1	Piston kit		Class E, SN2003015858-
18	(30777225)	1	• Lock ring		Obsolete part
19		1	• Piston pin		
20	30750678	1	Piston ring kit		
21	21373176	1	Flexible coupling		
22	(598034)	1	Grease		Obsolete part
23	946671	6	Flange screw		
24	9458178	1	Sealing ring		

7749500-21-35760

22743

Upd:2012-02-20