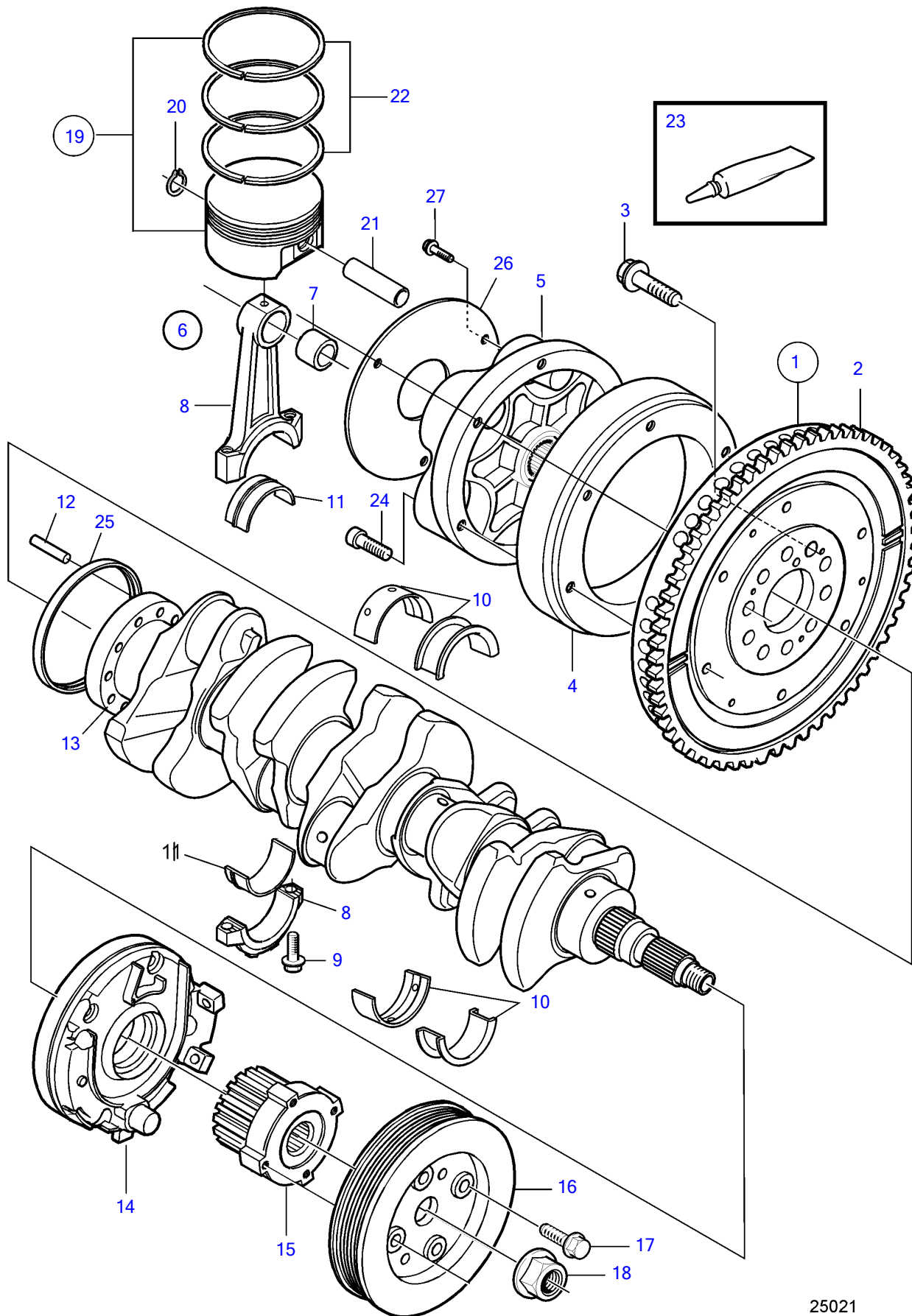


D3-110I-F, D3-150I-F, D3-170I-F, D3-200I-F, D3-220I-F



25021

D3-110I-F, D3-150I-F, D3-170I-F, D3-200I-F, D3-220I-F

REF	PART NO.	QTY	DESCRIPTION	SEE SEC.	NOTES
1	21317215	1	Flywheel		Replaced by 21517500
	21517500	1	Flywheel		
2	3818641		• Gear ring		
3	9454743	10	Screw		
4	21429352	1	Adapter ring		
5	21416069	1	Flexible coupling		
6	30777189	5	Connecting rod		
7		1	• Bushing		
8		1	• Connecting rod		
9	9497858	2	• Screw		
10	31251378	5	Main bearing		Without flange, red, See Workshop Manual
	31251379	5	Main bearing		Without flange, yellow, See Workshop Manual
	31251380	5	Main bearing		Without flange, blue, See Workshop Manual
	31251381	5	Main bearing		Without flange green, See Workshop Manual
	31339144	1	Thrust bearing		With flange, red, See Workshop Manual
	31339145	1	Thrust bearing		With flange, yellow, See Workshop Manual
	31339146	1	Thrust bearing		With flange, blue, See Workshop Manual
11	31251996	1	Big-end bearing kit		
12	973660	1	Spring pin		
13	9465781	1	Crankshaft		
14	30777092	1	Oil pump		
15	1275366	1	Pulley		
16	30731865	1	Vibration damper		
17	975101		Flange screw		M10x30mm
18	3531111	1	Nut		
19	21714074	1	Piston kit		
20	(30777225)	1	• Lock ring		Obsolete part
21		1	• Piston pin		
22	30750678	1	• Piston ring kit		
23	(598034)	1	Grease		Obsolete part
24	959230	6	Hex. socket screw		
25	9458178	1	Sealing ring		
26	21546260	1	Kit		Option, Extra mass, Replaced by 21752671
	21752671	1	Plate		
			• Installation Instruction 47700624	47700624-EN	Rubber Roller Kit
27	965185	3	Flange screw		

7749500-21-36894

25021

Upd:2012-02-20