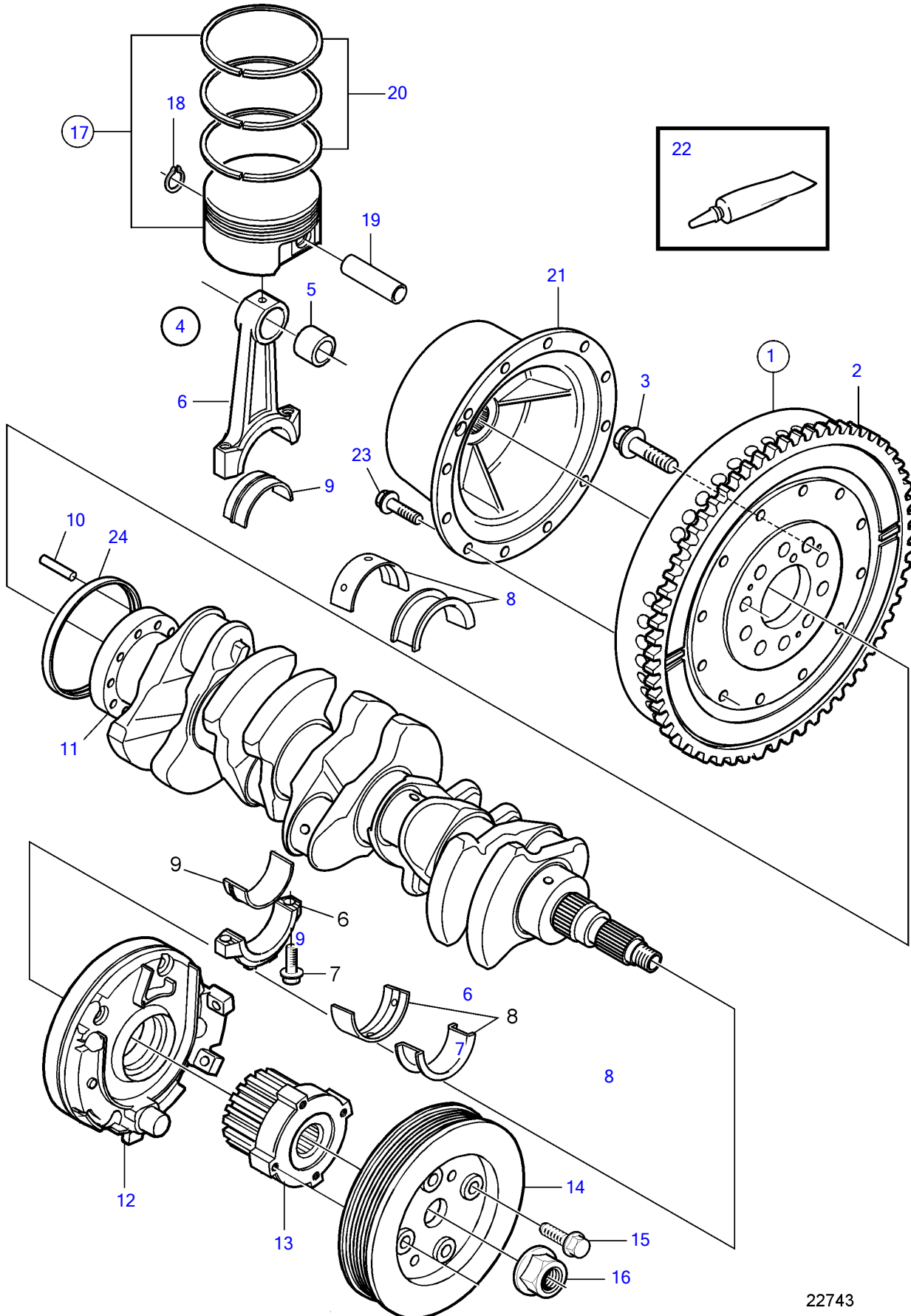


D3-140A-F, D3-170A-F, D3-200A-F, D3-220A-F



22743

D3-140A-F, D3-170A-F, D3-200A-F, D3-220A-F

REF	PART NO.	QTY	DESCRIPTION	SEE SEC.	NOTES
1	21317215	1	Flywheel		Replaced by 21517500
	21517500	1	Flywheel		
2	3818641	1	• Gear ring		
3	9454743	10	Screw		
4	30777189	5	Connecting rod		SN2003015858-
5		1	• Bushing		
6		1	• Connecting rod		
7	9497858	2	• Screw		
8	31251378	5	Main bearing		Without flange, red, See Workshop Manual
	31251379	5	Main bearing		Without flange, yellow, See Workshop Manual
	31251380	5	Main bearing		Without flange, blue, See Workshop Manual
	31251381	5	Main bearing		Without flange green, See Workshop Manual
	31251597	1	Thrust bearing		With flange, red, See Workshop Manual
	31251598	1	Thrust bearing		With flange, yellow, See Workshop Manual
	31251599	1	Thrust bearing		With flange, blue, See Workshop Manual
9	31251996	1	Big-end bearing kit		
10	973660	1	Spring pin		
11	9465781	1	Crankshaft		
12		1	Oil pump	35762	
13	1275366	1	Pulley		
14	31258122	1	Oscillation damper		
15				35649	M10x30mm
16	3531111	1	Nut		
17	21714074	1	Piston kit		
18	(30777225)	1	• Lock ring		Obsolete part
19		1	• Piston pin		
20	30750678	1	• Piston ring kit		
21	21373176	1	Flexible coupling		
22	(598034)	1	Grease		Obsolete part
23	946671	6	Flange screw		
24	9458178	1	Sealing ring		