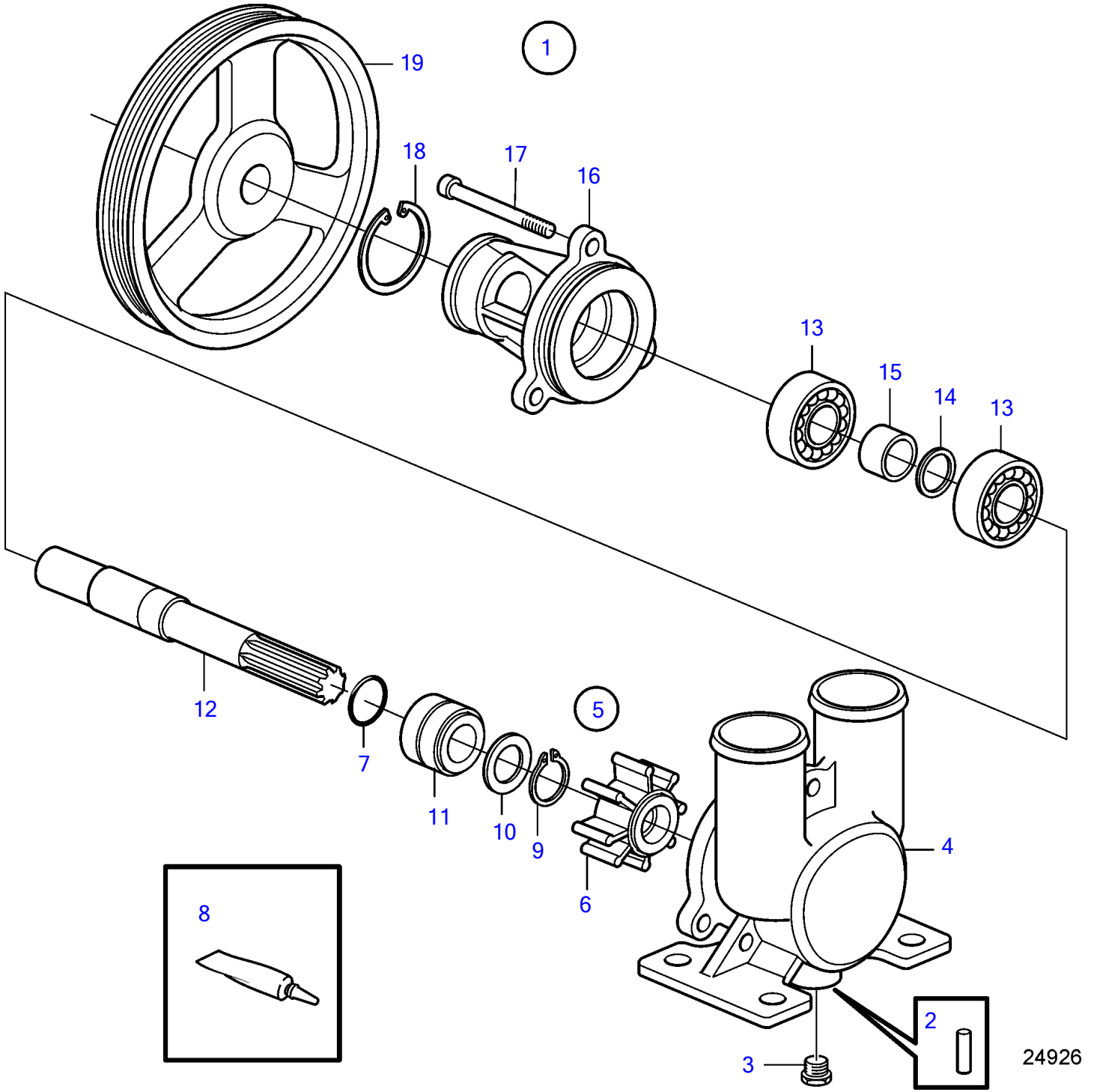


D3-110I-D, D3-110I-E, D3-110I-F, D3-140I-E, D3-140I-F, D3-140A-D, D3-140A-E, D3-140A-F, D3-150I-D, D3-150I-E, D3-150I-F, D3-170I-D, D3-170I-E, D3-170I-F, D3-170A-D, D3-170A-E, D3-170A-F, D3-200I-D, D3-200I-E, D3-200I-F, D3-200A-D, D3-200A-E, D3-200A-F, D3-220I-D, D3-220I-E, D3-220I-F, D3-220A-D, D3-220A-E, D3-220A-F



24926

D3-110I-D, D3-110I-E, D3-110I-F, D3-140I-E, D3-140I-F, D3-140A-D, D3-140A-E, D3-140A-F, D3-150I-D, D3-150I-E, D3-150I-F, D3-170I-D, D3-170I-E, D3-170I-F, D3-170A-D, D3-170A-E, D3-170A-F, D3-200I-D, D3-200I-E, D3-200I-F, D3-200A-D, D3-200A-E, D3-200A-F, D3-220I-D, D3-220I-E, D3-220I-F, D3-220A-D, D3-220A-E, D3-220A-F

REF	PART NO.	QTY	DESCRIPTION	SEE SEC.	NOTES
1	21379102	1	Sea water pump		
2	21379172	2	• Spring pin		
3	982363	1	• Plug		
4		1	• Housing		
5	21381690	1	• Repair kit	35801	
	21381693	1	• Impeller kit		
6		1	• • Impeller		
7		1	• • O-ring		
8	3862178	1	• • Grease		
9	809444	1	• Lock ring		
10	3583988	1	• Washer		
11	(21379134)	1	• Sealing ring		Obsolete part
12		1	• Shaft		
13	181800	2	• Ball bearing		
14	914451	1	• Snap ring		
15	(21379143)	1	• Spacer		Obsolete part
16		1	• Bearing housing		
17		3	• Hex. socket screw		
18	914523	1	• Snap ring		
19		1	• Pulley		