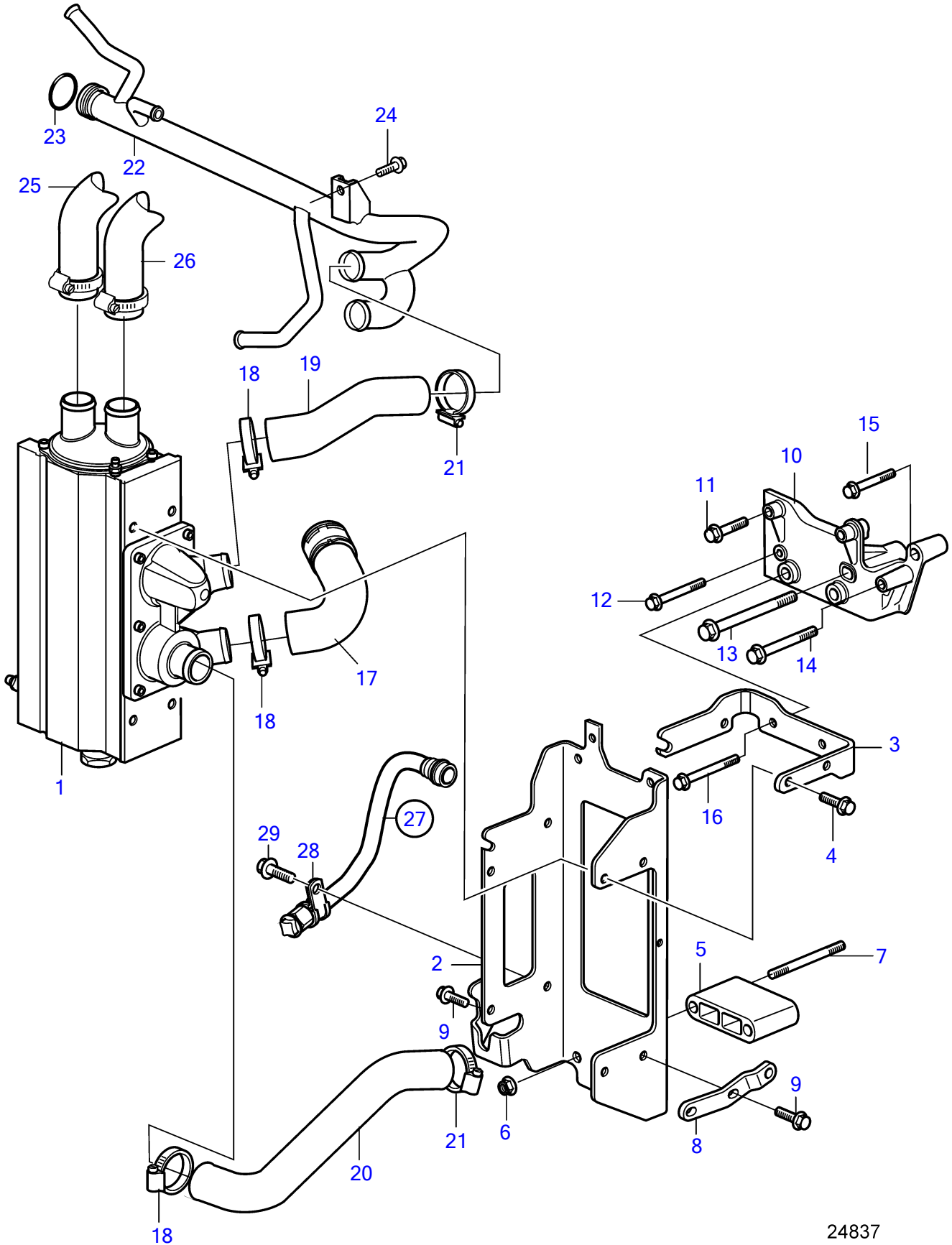


D3-110I-D, D3-110I-E, D3-110I-F, D3-140I-E, D3-140I-F, D3-140A-D, D3-140A-E, D3-140A-E, D3-140A-F, D3-150I-D, D3-150I-E, D3-150I-F, D3-170I-D, D3-170I-E, D3-170I-F, D3-170A-D, D3-170A-E, D3-170A-F, D3-200I-D, D3-200I-E, D3-200I-F, D3-200A-D, D3-200A-E, D3-200A-F, D3-220I-D, D3-220I-E, D3-220I-F, D3-220A-D, D3-220A-E, D3-220A-F



D3-110I-D, D3-110I-E, D3-110I-F, D3-140I-E, D3-140I-F, D3-140A-D, D3-140A-E, D3-140A-F, D3-150I-D, D3-150I-E, D3-150I-F, D3-170I-D, D3-170I-E, D3-170I-F, D3-170A-D, D3-170A-E, D3-170A-F, D3-200I-D, D3-200I-E, D3-200I-F, D3-200A-D, D3-200A-E, D3-200A-F, D3-220I-D, D3-220I-E, D3-220I-F, D3-220A-D, D3-220A-E, D3-220A-F

REF	PART NO.	QTY	DESCRIPTION	SEE SEC.	NOTES
1		1	Heat exchanger	35698	
2	21442271	1	Bracket		Replaced by 21572462
	21572462	1	Bracket		
3	21308169	1	Stay		
4	946671	4	Flange screw		M8x30mm
5	21306599	1	Profile		
6	971095	2	Flange nut		
7	953084	2	Stud		M10x110mm
8	21406493	1	Stay		
9	946671	2	Flange screw		M8x30mm
10	21259868	1	Bracket		
11	946671	2	Flange screw		M8x30mm
12	968172	1	Flange screw		M7x90mm
13	946472	2	Flange screw		
14	969313	1	Flange screw		M10x110mm
15	965187	1	Flange screw		M10x60mm
16	946671	1	Flange screw		M8x30mm
17	21205108	1	Hose		Replaced by 21166146, SN-2003018457
	21166146	1	Hose		SN2003018458-
18	961670	3	Hose clamp		
19	21166149	1	Hose		
20	21454184	1	Hose		
21	961669	2	Hose clamp		
22	21453988	1	Inlet pipe		Replaced by 21591184
	21591184	1	Inlet pipe		
23	976045	1	O-ring		
24	946544	1	Flange screw		
25		1	Hose	35682	Inboard
		1	Hose	35684	AQ
26	21166127	1	Hose	35701	Charge air cooler-Heat exchanger
27	21462783	1	Hose		SN-2003018457
	21501494	1	Hose		SN2003018458-
28	947827	1	Clamp		
29	946501	1	Flange screw		