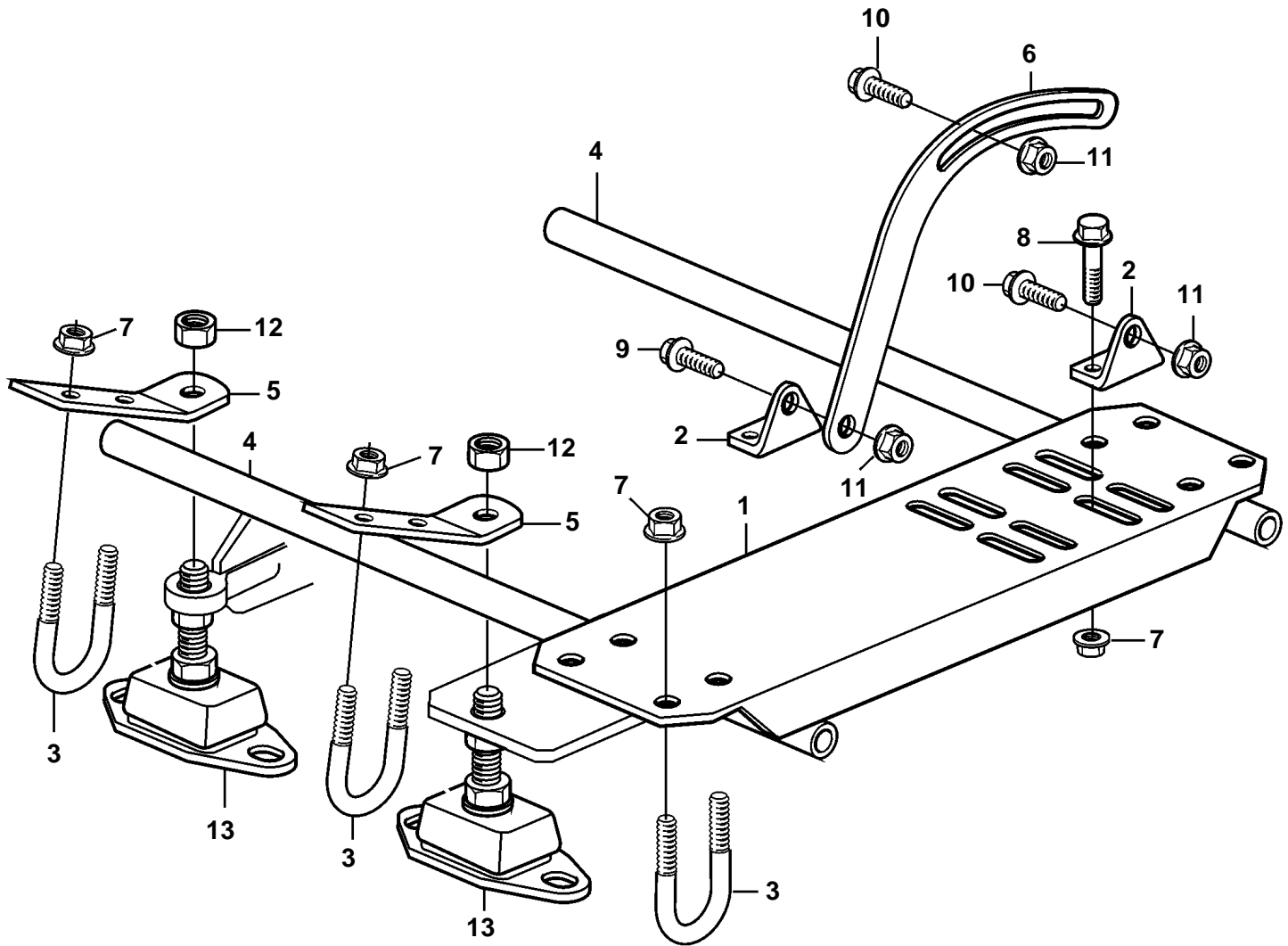


D3-110I-A, D3-110I-B, D3-110I-C, D3-130A-A, D3-130I-A, D3-130A-B, D3-130I-B, D3-130A-C, D3-130I-C, D3-160A-A, D3-160I-A, D3-160A-B, D3-160I-B, D3-160A-C, D3-160I-C, D3-190A-B, D3-190I-B, D3-190A-C, D3-190I-C



18973

D3-110I-A, D3-110I-B, D3-110I-C, D3-130A-A, D3-130I-A, D3-130A-B, D3-130I-B, D3-130A-C, D3-130I-C, D3-160A-A, D3-160I-A, D3-160A-B, D3-160I-B, D3-160A-C, D3-160I-C, D3-190A-B, D3-190I-B, D3-190A-C, D3-190I-C

REF	PART NO.	QTY	DESCRIPTION	SEE SEC.
1	3809859	1	Bracket	
2	854608	2	Tensioner	
3	3580739	8	Clamp	
4	3583506	2	Tube	
5	3809860	4	Bracket	
6	3583848	2	Anchorage	
7	945408	16	Flange nut	
8	945444	8	Flange screw	
9	946329	2	Flange screw	
10	946472	4	Flange screw	
11	971095	2	Flange nut	
12	955806	2	Hexagon nut	
				6636
13	846765	2	Rubber element	
				6636