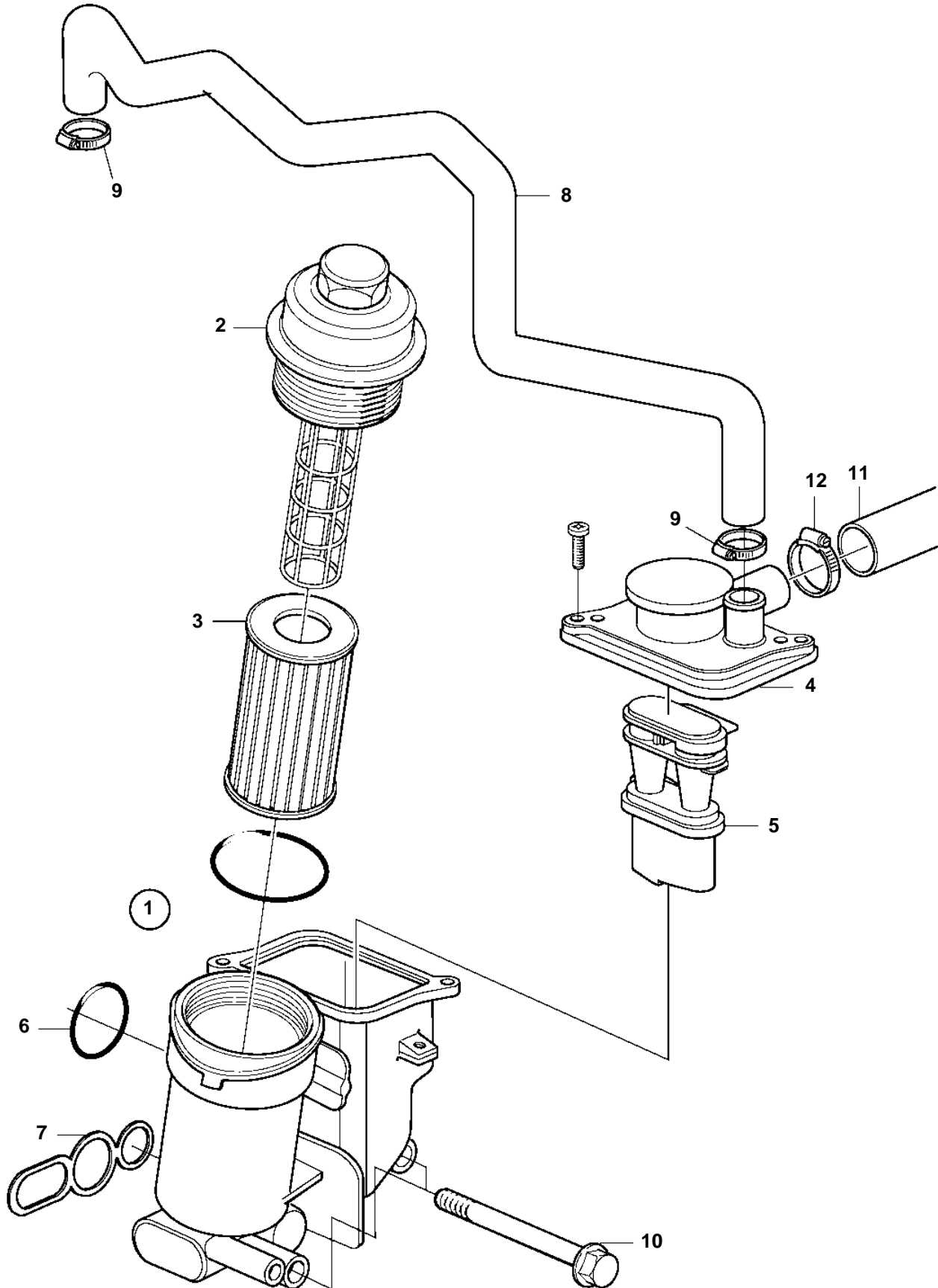


D3-110I-A, D3-130A-A, D3-130I-A, D3-160A-A, D3-160I-A



D3-110I-A, D3-130A-A, D3-130I-A, D3-160A-A, D3-160I-A

| REF | PART NO. | QTY | DESCRIPTION | NOTES |
|-----|----------|-----|-----------------------|---|
| 1 | 30677920 | 1 | Oil filter | (8642839) |
| 2 | 8692306 | 1 | · Cover | (8692304) |
| 3 | 8692305 | 1 | · Oil filter | |
| 4 | 8642424 | 1 | · Valve | |
| 5 | 8642426 | 1 | · Oil separator | Replaced by 30677920, Oil filter house. |
| 6 | 8642828 | 1 | · Seal | |
| 7 | 8642421 | 1 | · Seal | |
| 8 | 8692241 | 1 | Hose | |
| 9 | 976561 | 2 | Hose clamp | |
| 10 | 982781 | 4 | Flange screw | |
| 11 | 3586800 | 1 | Hose, crankcase vent. | |
| 12 | 943473 | 2 | Hose clamp | |