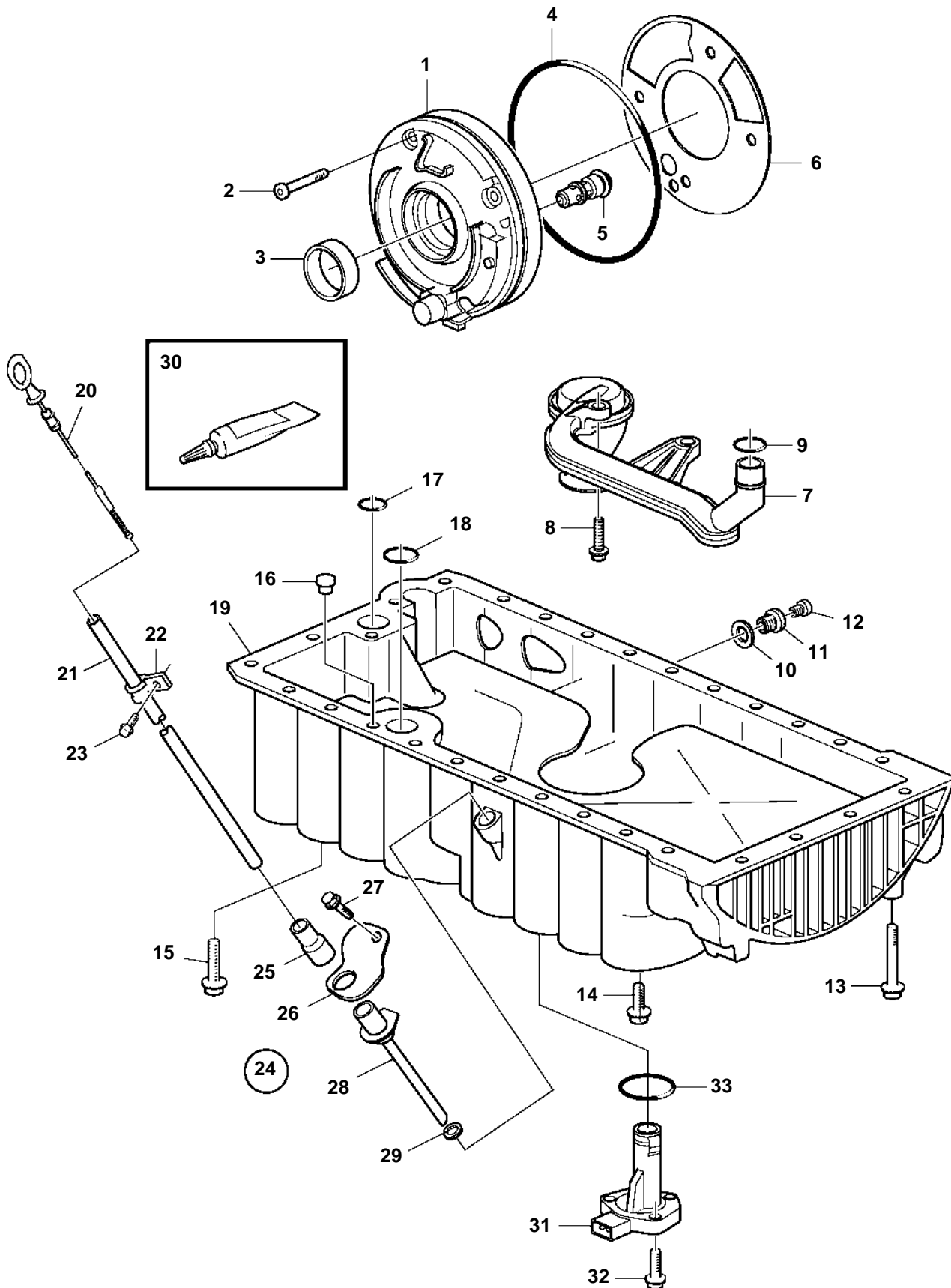


D3-110I-B, D3-110I-C, D3-130A-B, D3-130I-B, D3-130A-C, D3-130I-C, D3-160A-B, D3-160I-B, D3-160A-C, D3-160I-C, D3-190A-B, D3-190I-B, D3-190A-C, D3-190I-C



D3-110I-B, D3-110I-C, D3-130A-B, D3-130I-B, D3-130A-C, D3-130I-C, D3-160A-B, D3-160I-B, D3-160A-C, D3-160I-C, D3-190A-B, D3-190I-B, D3-190A-C, D3-190I-C

REF	PART NO.	QTY	DESCRIPTION	NOTES
1	30777092	1	Oil pump	
2	980880	4	6 point socket screw	
3	6842273	1	Sealing ring	
4	981204	1	O-ring	
5	30677893	1	Piston cooling valve	SN-350113
	30750943	1	Piston cooling valve	SN350114-
6	1275404	1	Gasket	
7	30650552	1	Suction line	
8	968158	2	Flange screw	
9	30637867	1	Sealing ring	
10	11998	1	Gasket	For servo pump.
11	3588129	1	Plug	For servo pump.
12	973924	1	Flange screw	For servo pump.
13	980092	4	Flange screw	
14	975880	22	Flange screw	
15	985322	3	Flange screw	
16	463963	1	Valve	
17	8642560	1	Sealing ring	
18	8631513	1	Sealing ring	
19	8670460	1	Sump	SN-334746
	30777966	1	Sump	SN334747-, (30713677)
20	3883471	1	Dipstick	
21	3883490	1	Tube	
22	952627	1	Clamp	
23	946544	1	Flange screw	
24	21163590	1	Suction pipe, kit	
25	843533	1	· Rubber cushion	
26	3847997	1	· Bracket	
27	982775	1	· Flange screw	
28	3847993	1	· Suction pipe	
29	3888462	2	· O-ring	
30	1161059	1	Sealing compound	50ml, SN-2003004733, SN2003004843, SN2003004845, SN2003004852, SN2003004853, SN2003004857
	1161771	1	Sealing compound	SN2003004734-
31	30774625	1	Level sensor	
32	947542	3	Flange screw	
33	8675328	1	O-ring	