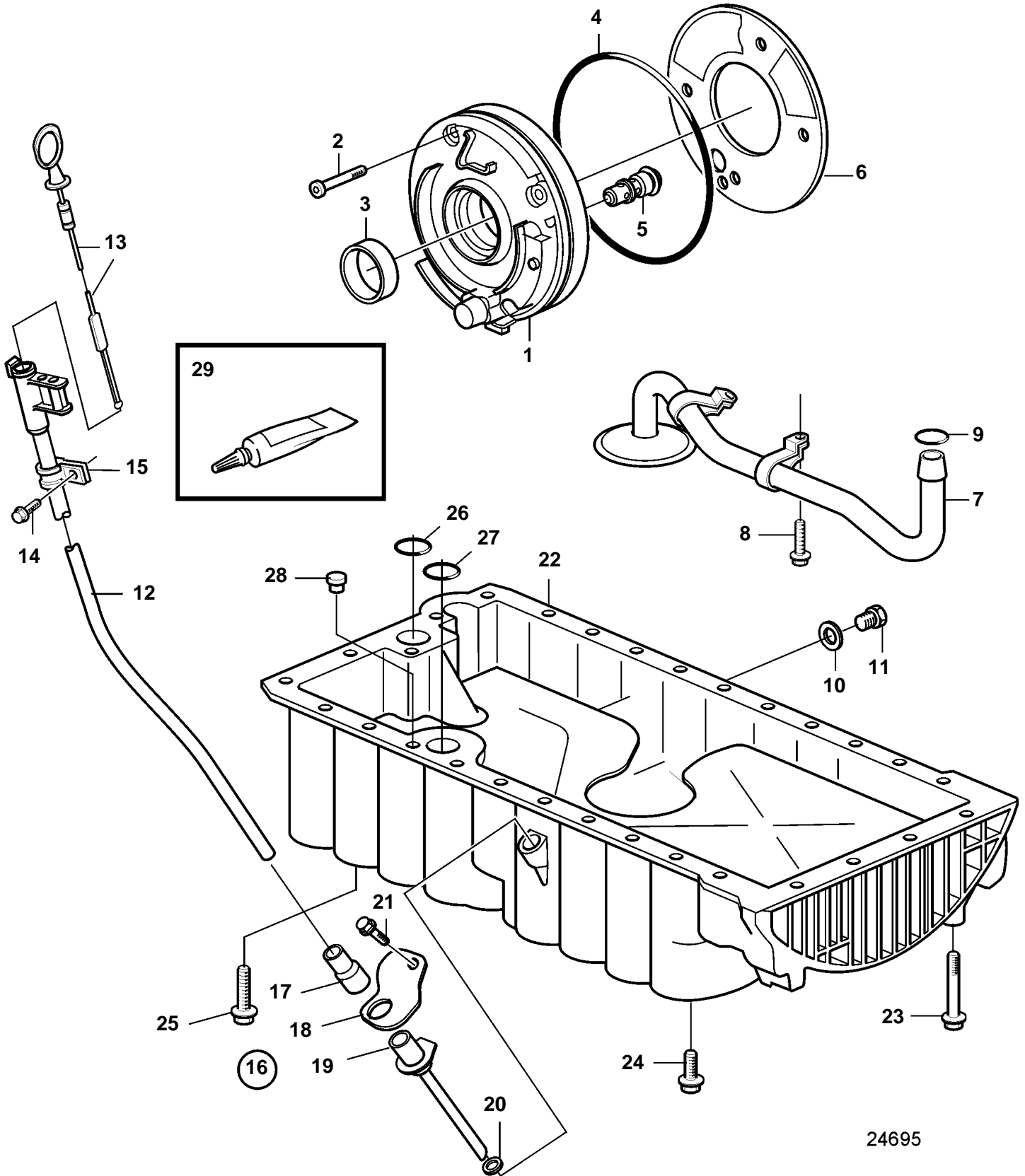


D3-110I-A, D3-130A-A, D3-130I-A, D3-160A-A, D3-160I-A



D3-110I-A, D3-130A-A, D3-130I-A, D3-160A-A, D3-160I-A

| REF | PART NO. | QTY | DESCRIPTION | NOTES |
|-----|----------|-----|----------------------|---|
| 1 | 30777092 | 1 | Oil pump | |
| 2 | 980880 | 4 | 6 point socket screw | |
| 3 | 6842273 | 1 | Sealing ring | |
| 4 | 981204 | 1 | O-ring | |
| 5 | 30677893 | 1 | Piston cooling valve | |
| 6 | 1275404 | 1 | Gasket | |
| 7 | 30650552 | 1 | Suction line | |
| 8 | 968158 | 2 | Flange screw | |
| 9 | 30637867 | 1 | Sealing ring | |
| 10 | 11998 | 1 | Gasket | For servo pump. |
| 11 | 3588129 | 1 | Plug | For servo pump. |
| 12 | 3589182 | 1 | Tube | |
| 13 | 3587638 | 1 | Dipstick | |
| 14 | 946544 | 1 | Flange screw | Mount on Aftercooler |
| 15 | 952627 | 1 | Clamp | |
| 16 | 21163590 | 1 | Suction pipe, kit | |
| 17 | 843533 | 1 | · Rubber cushion | |
| 18 | 3847997 | 1 | · Bracket | |
| 19 | 3847993 | 1 | · Suction pipe | |
| 20 | 3888462 | 2 | · O-ring | |
| 21 | 982775 | 1 | · Flange screw | |
| 22 | 8631507 | 1 | Sump | |
| 23 | 980092 | 4 | Flange screw | |
| 24 | 975880 | 22 | Flange screw | M7x20mm |
| 25 | 985322 | 3 | Flange screw | |
| 26 | 8631513 | 1 | Sealing ring | |
| 27 | 8642560 | 1 | Sealing ring | |
| 28 | 463963 | 1 | Valve | |
| 29 | 1161059 | 1 | Sealing compound | 50ml, SN-2003004733, SN2003004843, SN2003004845, SN2003004852, SN2003004853, SN2003004857 |
| | 1161771 | 1 | Sealing compound | SN2003004734- |