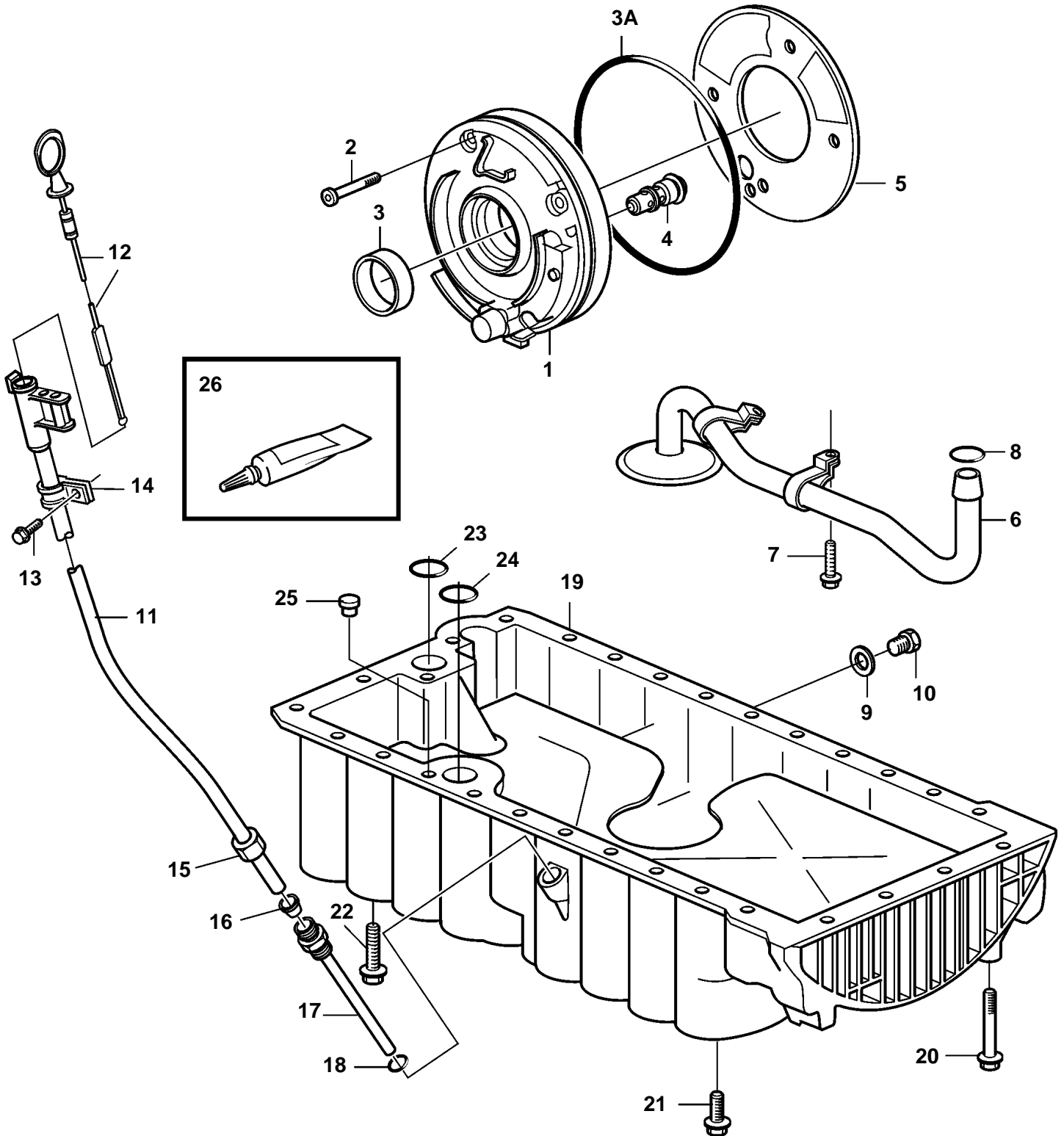


D3-110I-A, D3-130A-A, D3-130I-A, D3-160A-A, D3-160I-A



22761

D3-110I-A, D3-130A-A, D3-130I-A, D3-160A-A, D3-160I-A

REF	PART NO.	QTY	DESCRIPTION	NOTES
1	30777092	1	Oil pump	(30637377)
2	980880	4	6 point socket screw	
3	6842273	1	Sealing ring	
3A	981204	1	O-ring	
4	8642166	1	Valve	Repl by 30677893
	30677893	1	Piston cooling valve	
5	1275404	1	Gasket	
6	9186116	1	Suction pipe	Replaced by 30650552 and 2 pcs screw 968158.
	30650552	1	Suction line	
7	968814	1	Flange screw	
	968158	2	Flange screw	
8	30637867	1	Sealing ring	
9	11998	1	Gasket	For servo pump.
10	3588129	1	Plug	For servo pump.
11	3589182	1	Tube	
12	3587638	1	Dipstick	
13	946544	1	Flange screw	Mount on Aftercooler
14	952627	1	Clamp	
15	956984	1	Fitting nut	
16	980782	1	Ferrule	
17	3588212	1	Suction pipe	Replaced by 21163590
18	958226	1	O-ring	
19	8631507	1	Sump	
20	980092	4	Flange screw	
21	975880	22	Flange screw	M7x20mm
22	985322	3	Flange screw	
23	8631513	1	Sealing ring	
24	8642560	1	Sealing ring	
25	463963	1	Valve	
26	1161059	1	Sealing compound	50ml, SN-2003004733, SN2003004843, SN2003004845, SN2003004852, SN2003004853, SN2003004857
	1161771	1	Sealing compound	SN2003004734-