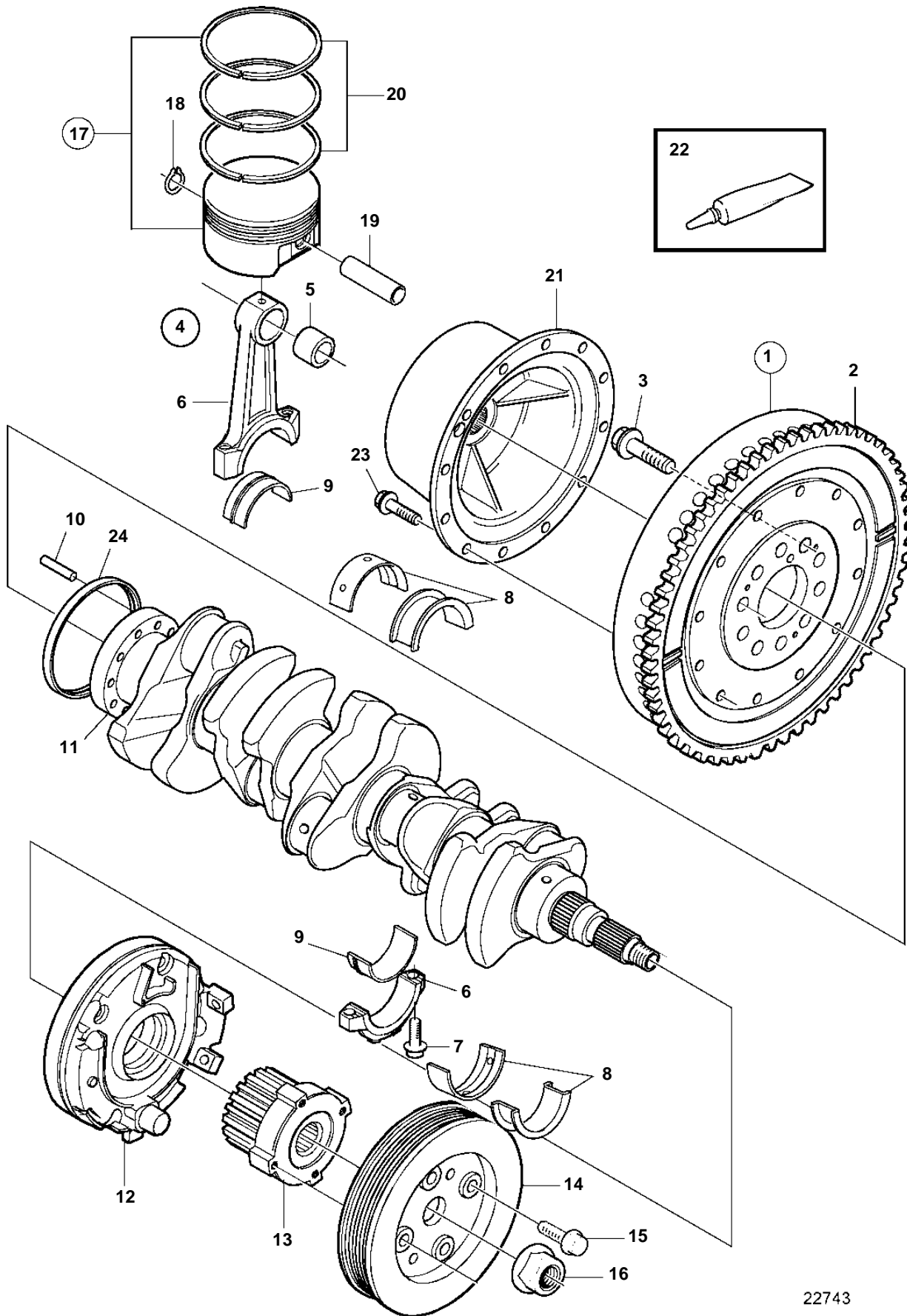


D3-130A-A, D3-160A-A



22743

D3-130A-A, D3-160A-A

REF	PART NO.	QTY	DESCRIPTION	SEE SEC.	NOTES
1	3818392	1	Flywheel		
2	3818641		• Gear ring		
3	9454743	10	Screw		
4	8631505	5	Connecting rod		
5		1	• Bushing		
6		1	• Connecting rod		
7	9497858	2	• Screw		
8		1	Main bearing kit, complete		Include all main bearings needed for overhauling the engine
	31251577	5	Main bearing		Without flange, red, UP TO SN 2003015290
	31251378	5	Main bearing		Without flange, red, FROM SN 2003015291
	31251578	5	Main bearing		Without flange, yellow, UP TO SN 2003015290
	31251379	5	Main bearing		Without flange, yellow, FROM SN 2003015291
	31251579	5	Main bearing		Without flange, blue, UP TO SN 2003015290
	31251380	5	Main bearing		Without flange, blue, FROM SN 2003015291
	31251597	1	Main bearing		With flange, red
	31251598	1	Main bearing		With flange, yellow
	31251599	1	Main bearing		With flange, blue
9	9180722	5	Big-end bearing kit		
10	973660	1	Spring pin		
11	9465781	1	Crankshaft		
12		1	Oil pump	6342	
13	1275366	1	Pulley		
14	30731865	1	Vibration damper		(30637335)
15	3531111	1	Nut		
16	969445	4	Flange screw		
17	30750764	1	Piston kit		Class C
	30750765	1	Piston kit		Class D
	30750766	1	Piston kit		Class E
18		1	• Lock ring		
19		1	• Piston pin		
20	30731740	1	Piston ring kit		Std
21	3851964	1	Flexible coupling		
22	598034	1	Grease		
23	946671	6	Flange screw		
24	9458178	1	Sealing ring		