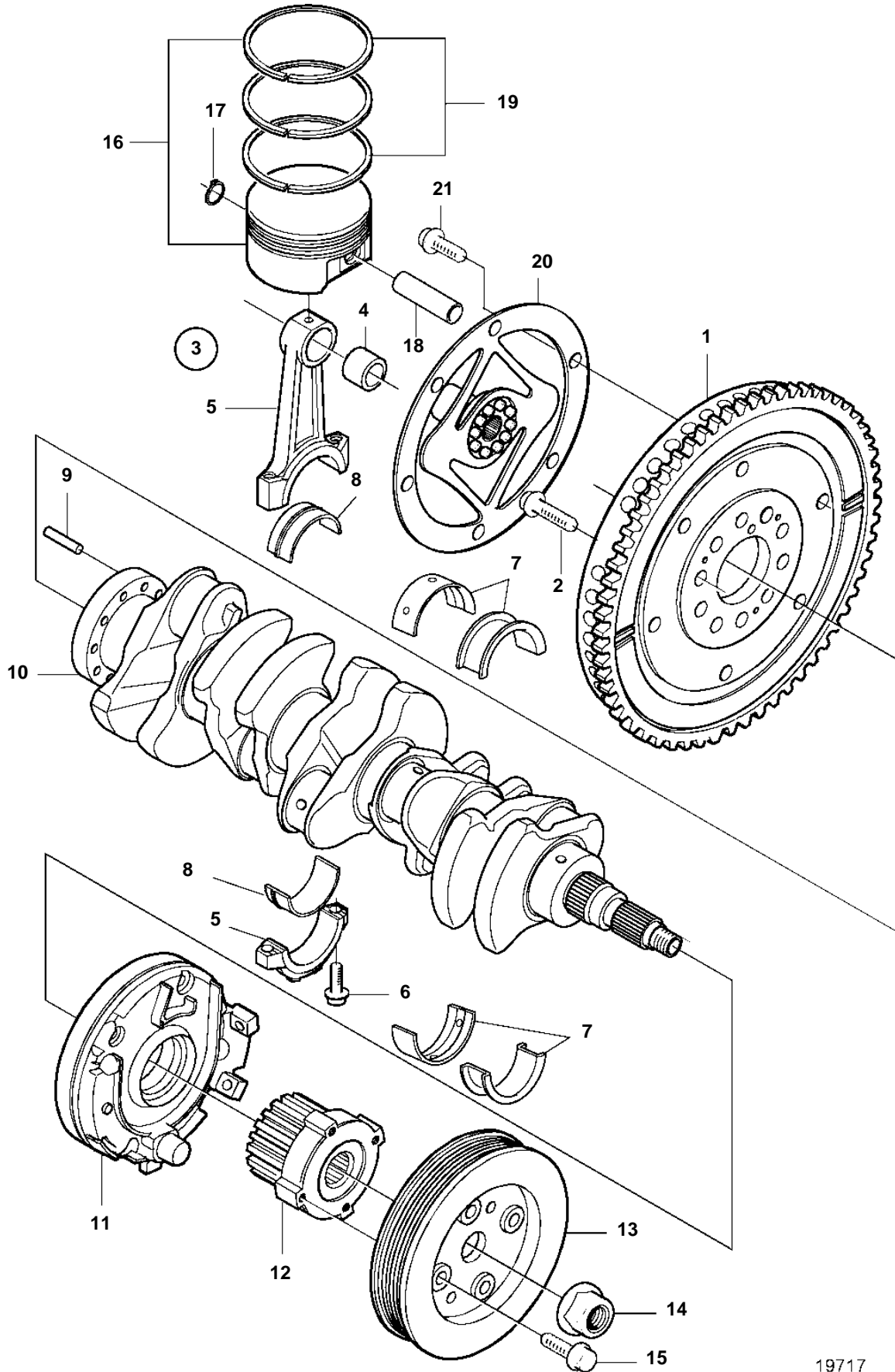


D3-130A-A, D3-160A-A



## D3-130A-A, D3-160A-A

REF	PART NO.	QTY	DESCRIPTION	SEE SEC.	NOTES
1	30681145	1	Flywheel		(8675012)
2	9454743	10	Screw		
3	8631505	5	Connecting rod		
4		1	· Bushing		
5		1	· Connecting rod		
6	9497858	2	· Screw		
7		1	Main bearing kit, complete		Include all main bearings needed for overhauling the engine
	31251577	5	Main bearing		Without flange, red, UP TO SN 2003015290
	31251378	5	Main bearing		Without flange, red, FROM SN 2003015291
	31251578	5	Main bearing		Without flange, yellow, UP TO SN 2003015290
	31251379	5	Main bearing		Without flange, yellow, FROM SN 2003015291
	31251579	5	Main bearing		Without flange, blue, UP TO SN 2003015290
	31251380	5	Main bearing		Without flange, blue, FROM SN 2003015291
	31251597	1	Main bearing		With flange, red
	31251598	1	Main bearing		With flange, yellow
	31251599	1	Main bearing		With flange, blue
8	9180722	5	Big-end bearing kit		
9	973660	1	Spring pin		
10	9465781	1	Crankshaft		
11		1	Oil pump	6342	
12	1275366	1	Pulley		
13	30731865	1	Vibration damper		(30637335)
14	3531111	1	Nut		
15	969445	4	Flange screw		
16	30750764	1	Piston kit		Class C
	30750765	1	Piston kit		Class D
	30750766	1	Piston kit		Class E
17		1	· Lock ring		
18		1	· Piston pin		
19	30731740	1	Piston ring kit		Std
20	3584285	1	Drive plate		
21	944926	6	Flange screw		