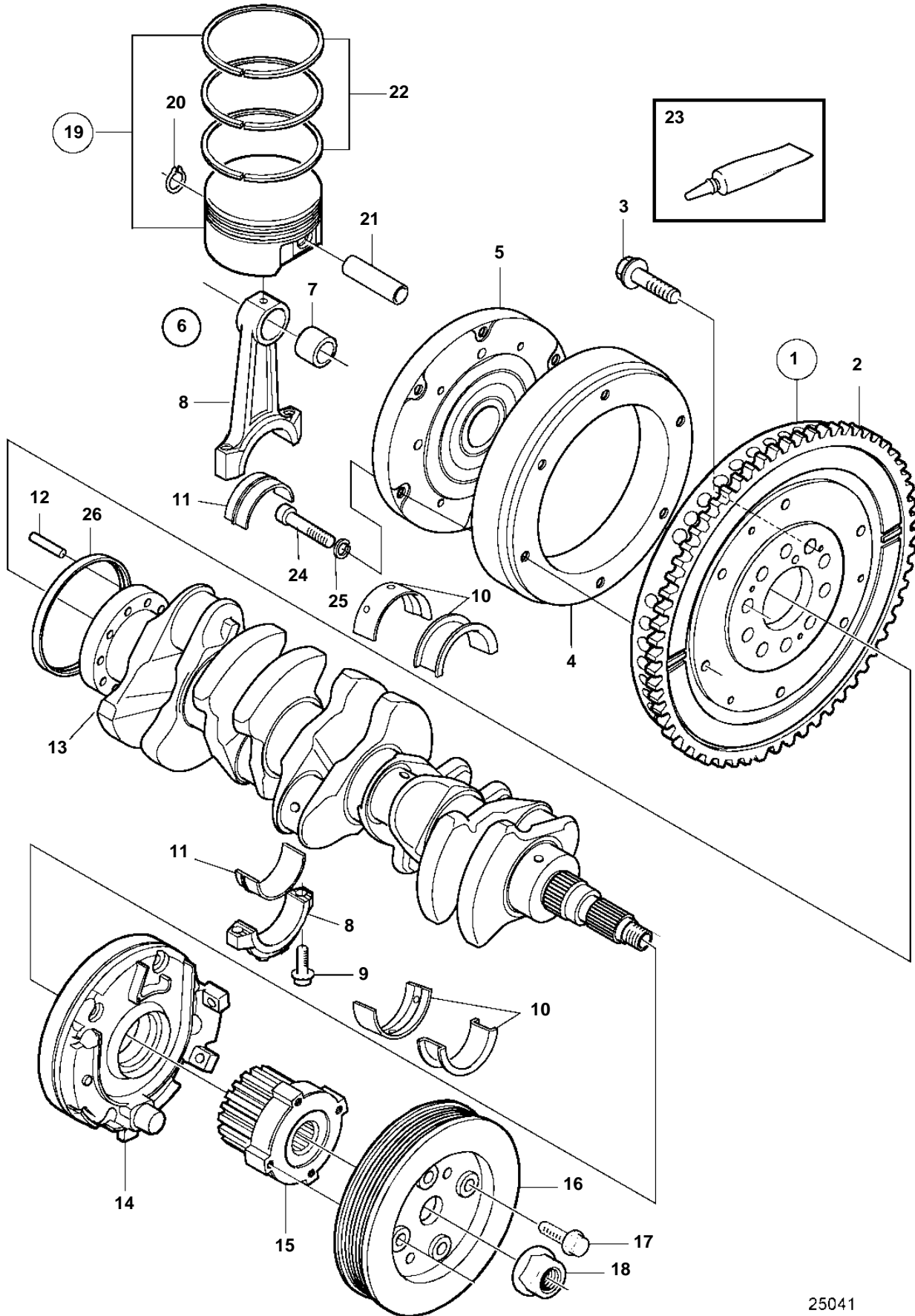


D3-110I-C, D3-130I-C, D3-160I-C, D3-190I-C



25041

D3-110I-C, D3-130I-C, D3-160I-C, D3-190I-C

REF	PART NO.	QTY	DESCRIPTION	SEE SEC.	NOTES
1	3818392	1	Flywheel		
2	3818641		• Gear ring		
3	9454743	10	Screw		
4	21429352	1	Adapter ring		
5	3582751	1	Oscillation damper		
6	8631505	5	Connecting rod		
7		1	• Bushing		
8		1	• Connecting rod		
9	9497858	2	• Screw		
10		1	Main bearing kit, complete		Include all main bearings needed for overhauling the engine
	31251577	5	Main bearing		Without flange, red, UP TO SN 2003015290
	31251378	5	Main bearing		Without flange, red, FROM SN 2003015291
	31251578	5	Main bearing		Without flange, yellow, UP TO SN 2003015290
	31251379	5	Main bearing		Without flange, yellow, FROM SN 2003015291
	31251579	5	Main bearing		Without flange, blue, UP TO SN 2003015290
	31251380	5	Main bearing		Without flange, blue, FROM SN 2003015291
	31251597	1	Main bearing		With flange, red
	31251598	1	Main bearing		With flange, yellow
	31251599	1	Main bearing		With flange, blue
11	9180722	5	Big-end bearing kit		
12	973660	1	Spring pin		
13	9465781	1	Crankshaft		
14		1	Oil pump	9514	
15	1275366	1	Pulley		
16	30731865	1	Vibration damper		(30637335)
17	969445	4	Flange screw		
18	3531111	1	Nut		
19	30750674	1	Piston kit		Class C
	30750675	1	Piston kit		Class D
	30750676	1	Piston kit		Class E
20		1	• Lock ring		
21		1	• Piston pin		
22	30731740	1	Piston ring kit		Std, SN-2003004563
	30750678	1	Piston ring kit		Std, SN2003004564-
23	598034	1	• Grease		
24	959233	6	Hex. socket screw		
25	941907	6	Spring washer		
26	9458178	1	Sealing ring		

7744550 - 21 - 21495

25041

Upd: 2009-12-14