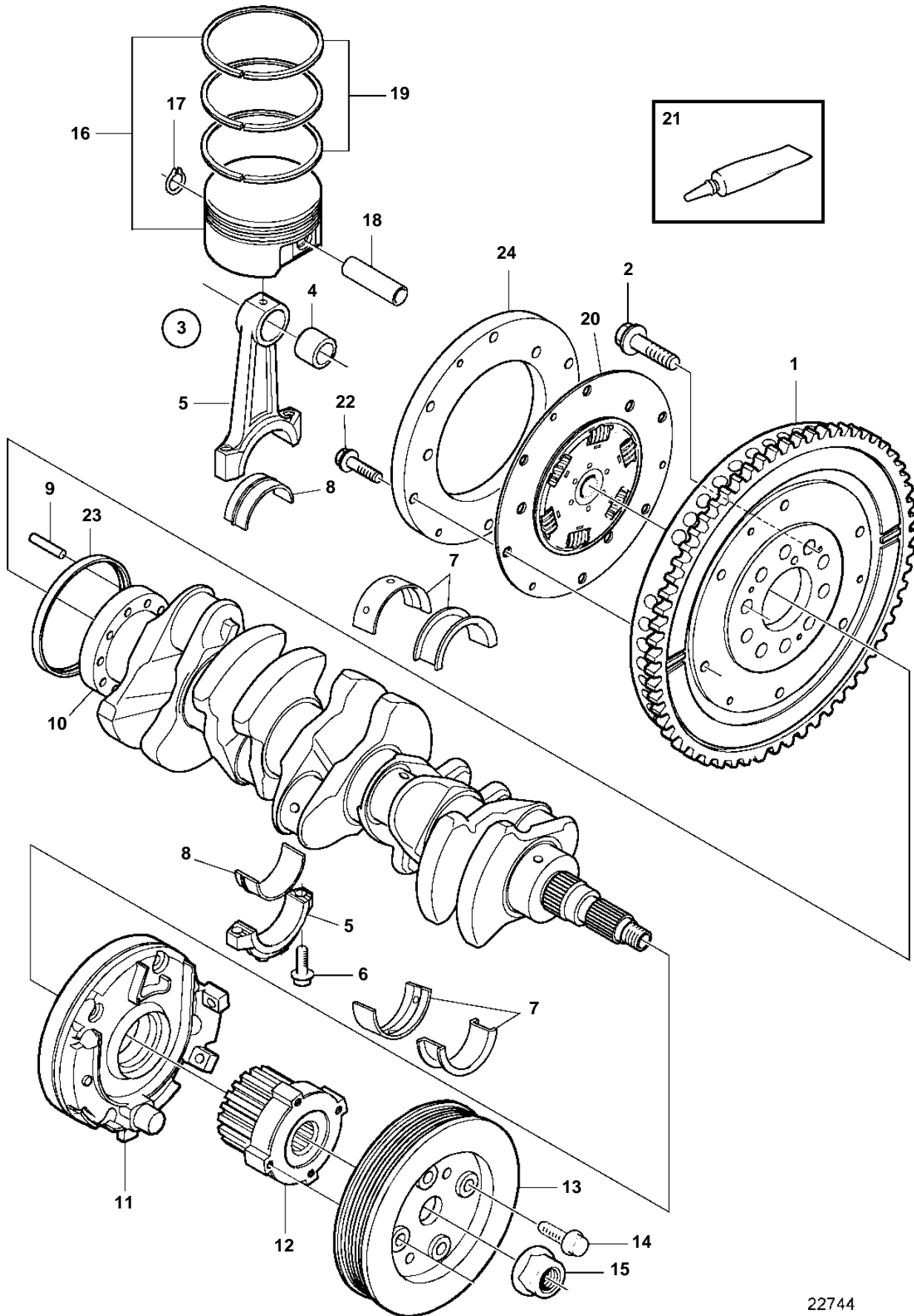


D3-110I-B, D3-130I-B, D3-160I-B, D3-190I-B



22744

D3-110I-B, D3-130I-B, D3-160I-B, D3-190I-B

| REF | PART NO. | QTY | DESCRIPTION | SEE SEC. | NOTES |
|-----|----------|-----|----------------------------|----------|---|
| 1 | 30681145 | 1 | Flywheel | | |
| 2 | 9454743 | 10 | Screw | | |
| 3 | 8631505 | 5 | Connecting rod | | |
| 4 | | 1 | · Bushing | | |
| 5 | | 1 | · Connecting rod | | |
| 6 | 9497858 | 2 | · Screw | | |
| 7 | | 1 | Main bearing kit, complete | | Include all main bearings needed for overhauling the engine |
| | 31251577 | 5 | Main bearing | | Without flange, red, UP TO SN 2003015290 |
| | 31251378 | 5 | Main bearing | | Without flange, red, FROM SN 2003015291 |
| | 31251578 | 5 | Main bearing | | Without flange, yellow, UP TO SN 2003015290 |
| | 31251379 | 5 | Main bearing | | Without flange, yellow, FROM SN 2003015291 |
| | 31251579 | 5 | Main bearing | | Without flange, blue, UP TO SN 2003015290 |
| | 31251380 | 5 | Main bearing | | Without flange, blue, FROM SN 2003015291 |
| | 31251597 | 1 | Main bearing | | With flange, red |
| | 31251598 | 1 | Main bearing | | With flange, yellow |
| | 31251599 | 1 | Main bearing | | With flange, blue |
| 8 | 9180722 | 5 | Big-end bearing kit | | |
| 9 | 973660 | 1 | Spring pin | | |
| 10 | 9465781 | 1 | Crankshaft | | |
| 11 | | 1 | Oil pump | 9514 | |
| 12 | 1275366 | 1 | Pulley | | |
| 13 | 30731865 | 1 | Vibration damper | | (30637335) |
| 14 | 3531111 | 1 | Nut | | |
| 15 | 969445 | 4 | Flange screw | | |
| 16 | 30750674 | 1 | Piston kit | | Class C |
| | 30750675 | 1 | Piston kit | | Class D |
| | 30750676 | 1 | Piston kit | | Class E |
| 17 | | 1 | · Lock ring | | |
| 18 | | 1 | · Piston pin | | |
| 19 | 30731740 | 1 | Piston ring kit | | Std, SN-2003004563 |
| | 30750678 | 1 | Piston ring kit | | Std, SN2003004564- |
| 20 | 3807988 | 1 | Vibration damper | | |
| 21 | 598034 | 1 | · Grease | | |
| 22 | 948217 | 6 | Flange screw | | |
| 23 | 9458178 | 1 | Sealing ring | | |
| 24 | 3809460 | 1 | Oscillation damper | | |

7744550 - 21 - 9545

22744

Upd: 2009-12-14